



CDMF+ CMH

50Hz
High Pressure Pump



Stock code:300145



REPRESENTATIVE IN GEORGIA

Address: Tbilisi; Libani street 2

Tel: +995 032 248 35 62

Email: info@cnp.ge

Website: cnp.ge

E220802
subject to amendments



Pumping Water Pumping Honor



Company profile

Founded in 1991, Nanfang Zhongjin Environment Co.,Ltd. (hereinafter referred to as CNP) has been listed on the Shenzhen Stock Exchange on 9th December 2010; Stock name: CNP; Stock code: 300145.

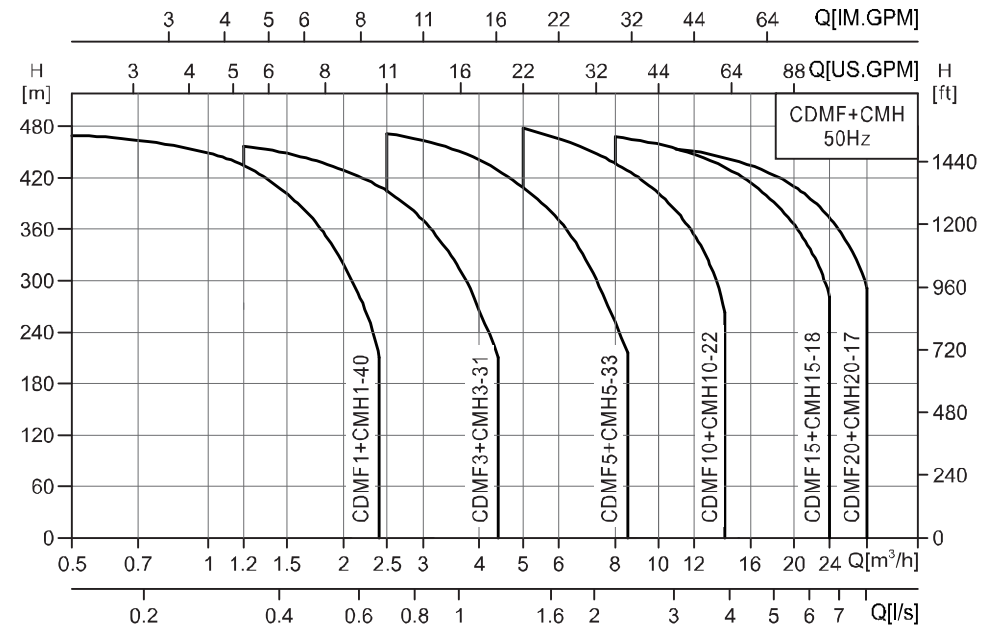
As the first enterprise specializing in the research and large-scale production of stainless steel stamping welded centrifugal pump in China, CNP is currently the professional manufacturer with the highest volume of production and marketing in that industry. It ranks first in the country in terms of product scope, sales volume, and production quality. The company has set up a complete network of marketing services to meet the requirements of overseas markets as well as domestic needs. The products have seen a wide range of application in the area of pressurization, industry, living water, cycling of air-conditioning water, heat supply, fire extinguishing system, pumping of underground water, treatment of sewage and waste water, chemical industry and desalination of sea water etc.

CNP has now entered into the fast track of development and has taken a major step forward in forging China Strong Pump Enterprise and World's famous brand in the Pump Industry. In order to better meet the client's needs and requirements for expansion, it has set up a wide network of selling and service, as well as offices and service centers in major cities in China, which are aimed at providing timely and effective services for our clients. Meanwhile, our company has successfully penetrated into the world market by forging a good business relationship with more than 50 countries and regions in the Europe, Northern American, and Southeast Asia etc.

Contents

Performance scope	1
Product range	1
Summary	2
Motor	2
Working conditions	2
Applications	2
Performance cure	2
Model definition	2
Max. working pressure	3
Max. ambient temperature, latitude	3
Min. inlet pressure	3
CMH1,3,5 Material list	4
CMH10,15,20 Material list	5
CDMF1+CMH1-40 Performance curve	6
CDMF1+CMH1-40 Performance table	7
CDMF3+CMH3-31 Performance curve	8
CDMF3+CMH3-31 Performance table	9
CDMF5+CMH5-33 Performance curve	10
CDMF5+CMH5-33 Performance table	11
CDMF10+CMH10-22 Performance curve	12
CDMF10+CMH10-22 Performance table	13
CDMF15+CMH15-18 Performance curve	14
CDMF15+CMH15-18 Performance table	15
CDMF20+CMH20-17 Performance curve	16
CDMF20+CMH20-17 Performance table	17
CDMF1+CMH1-40 Installation sketch	18
CDMF3+CMH3-31 Installation sketch	19
CDMF5+CMH5-33 Installation sketch	20
CDMF10+CMH10-22 Installation sketch	21
CDMF15+CMH15-18 Installation sketch	22
CDMF20+CMH20-17 Installation sketch	23

Performance scope



Product range

Description	Model	CDMF+CMH					
		1	3	5	10	15	20
Rated flow [m³/h]		1	3	5	10	15	20
Rated flow [l/s]		0,28	0,83	1,39	2,78	4,17	5,56
Flow range [m³/h]		0,5~2,4	1,2~4,4	2,5~8,5	5~14	8~24	10~29
Flow range [l/s]		0,14~0,67	0,33~1,22	0,69~2,36	1,39~3,89	2,22~6,67	2,78~8,06
Max. pressure [bar]		47	46	49	48	47	46
Motor power [kW]		2,57~4,4	3,37~6	5,87~11	11,75~22	16,1~30	19,6~37
Temp [°C]		-15 ~ +120					
Max. efficiency [%]		48	58	70	72	73	73
Pipe connection							
Victaulic coupling		DN32	DN32	DN32	DN50	DN50	DN50
System							
Two pumps in serial		•	•	•	•	•	•

The motor power is the sum of two pumps in series connection.

Summary

CDM/CDMF pumps are new generation, high efficiency, non-self-priming vertical multistage centrifugal pumps (Abbr. as pumps). It referred to European standard, adopted entirely new industrial design, efficiency achieved $MEI \geq 0.7$. It is energy saving, low noise, environment friendly, compact design, beautiful shape, light weight, easy for service, high reliability.

CDMF+CMH are two pumps in serial produce 48 bar high pressure.

CDMF pump supplies water, CMH pump is a high-pressure pump, which specially designed for high-pressure applications. This sample only provides the technical information of the high-pressure pump.

CMH pump is non-priming vertical multistage centrifugal pump installed standard motor. The rotating direction of pump is the reverse direction of water supply pump, chambers are reverse, the delivered liquid flowed reversely.

Motor

Totally enclosed, fan cooled, 2 pole standard motor
 Protection Class: IP55
 Insulation class: F
 Voltage: 50Hz: 1×220-230/240V
 3×200-220/346-380V
 3×220-240/380-415V

Working conditions

Thin, clean, non-flammable, non-explosive, solid free, fiber free, physically and chemically water-like liquid.

Liquid temperature :

Normal temperature type: -15°C to 70°C

Hot water type: -15°C to 120°C

Ambient temperature : up to +40°C

Altitude : up to 1000m

Applications

Water treatment ultrafiltration system
 RO system
 Boosting system
 High pressure washing system
 Water supply

Performance curve

Following conditions are suitable for the performance curves shown below.

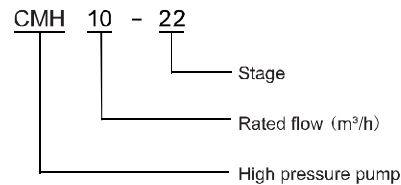
1. All curves are based on the measured values of 50Hz; constant motor speed 2900rpm.

2. Curve tolerance in conformity to ISO9906:2012 Grade 3B.

3. Measurement is done with 20°C air-free water, kinematic viscosity of 1mm²/sec.

4. The operation of pump shall refer to the performance region indicated by the thickened curve to prevent overheating due to too small flow rate or overload of motor due to too large flow rate.

Model definition

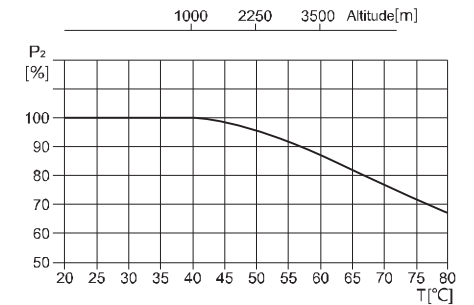


Max. working pressure

CMH: 50bar

Max. ambient temperature, altitude above sea level

When pumps working in the condition of higher than 40°C or higher than 1000m altitude, because the air density lessened, cooling performance is reduced, motor output power P_2 is reduced also. The motor power shall be enlarged in those working conditions.



Min. inlet pressure

CMH: 0.5bar

In case that the pressure in pump is lower than the steam pressure used to convey liquid, the cavitations will occur. To avoid cavitations, a minimum pressure at the inlet side of the pump shall be guaranteed. The maximum suction stroke can be calculated with following formula:

$$H = P_b \times 10.2 - NPSH - H_f - H_v - H_s$$

P_b = Barometric pressure in bar.

(Barometric pressure can be set to 1 bar).

In a closed system, P_b means system pressure [bar].

NPSH = Net Positive Suction Head [m].

(It can be read from the point of possible max. flow rate shown on NPSH curve.)

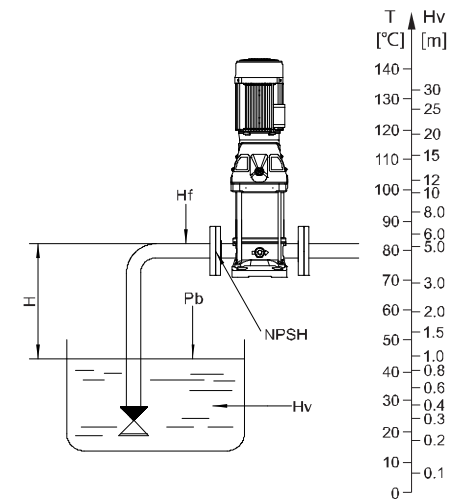
H_f = Pipe friction loss at the inlet [m].

H_v = Vapour pressure [m].

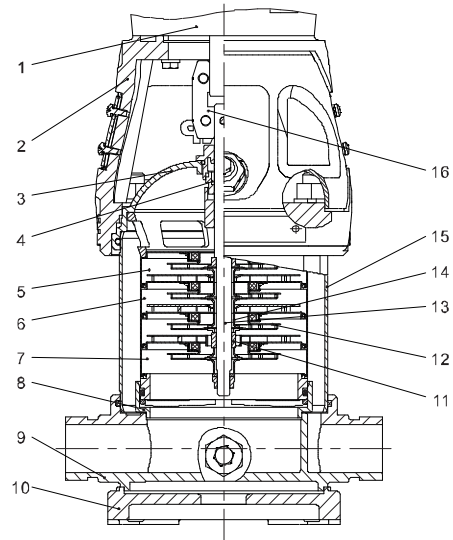
H_s = Safety margin = minimum 0.5 meters head.

If the "H" calculated is positive, the pump may run under the max. suction stroke H.

If the "H" calculated is negative, A head of minimum inlet pressure H is required.



CMH1,3,5 Sectional drawing

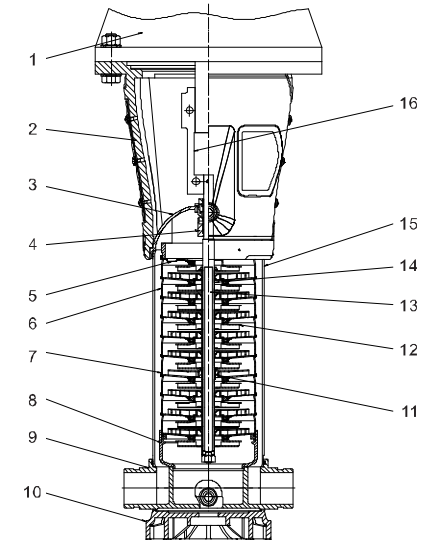


CMH1,3,5 Material list

Pos.	Name	Material	AISI/ASTM
1	Motor		
2	Pump head	Cast iron	ASTM25B
3	Lining	Stainless steel	AISI304
4	Mechanical seal	Tungsten carbide/Carbon	
5	Inducer	Stainless steel	AISI304
6	Diffuser	Stainless steel	AISI304
7	Support diffuser	Stainless steel	AISI304
8	Discharge chamber	Stainless steel	AISI304
9	Inlet & outlet chamber	Stainless steel	AISI304
10	Base plate	Cast iron	ASTM25B
11	Bearing	Tungsten carbide	
12	Impeller	Stainless steel	AISI304
13	Shaft	Stainless steel	AISI304
14	Impeller sleeve	Stainless steel	AISI304
15	Cylinder	Stainless steel	AISI304
16	Coupling	Carbon steel/Powder metallurgy	

Please check with us for other material

CMH10,15,20 Sectional drawing

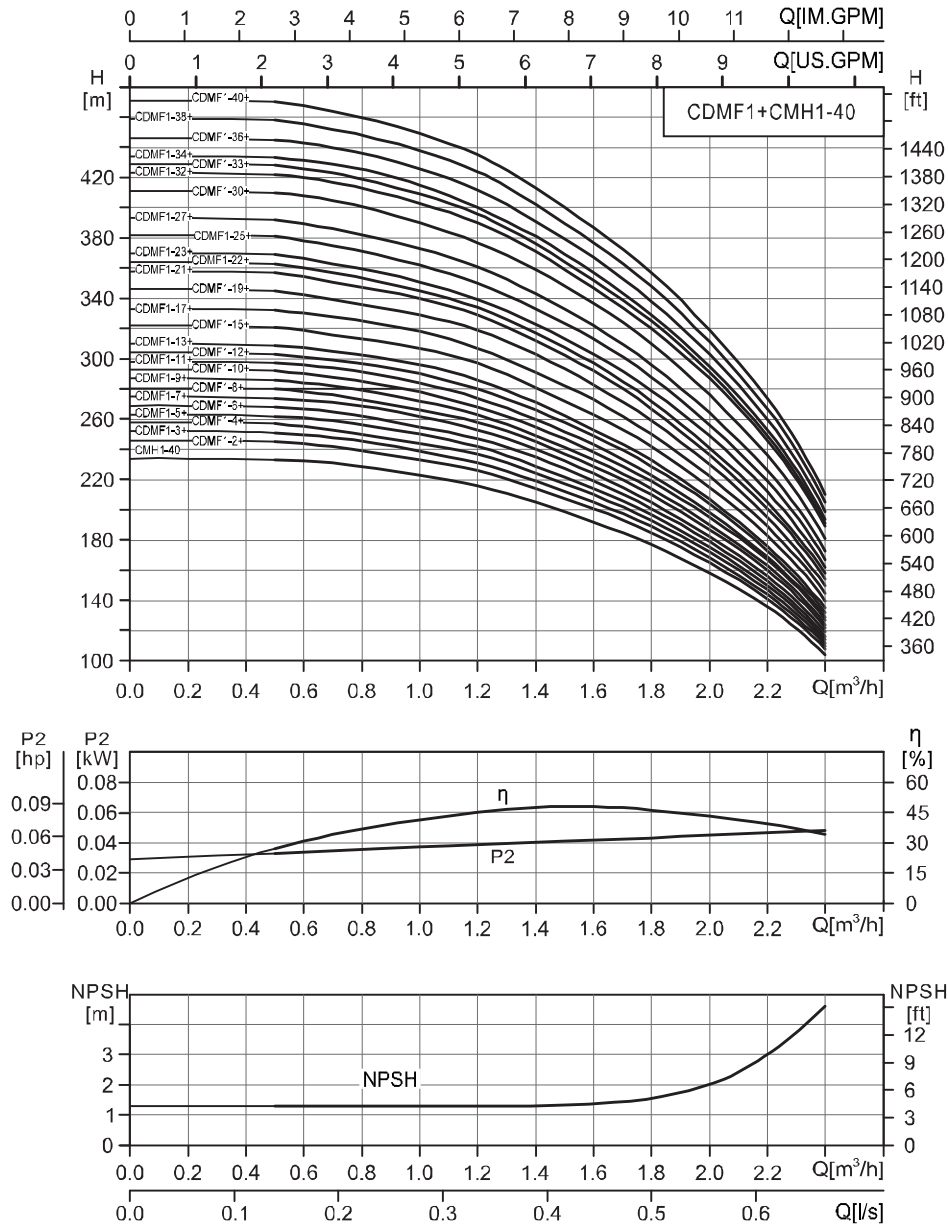


CMH10,15,20 Material list

Pos.	Name	Material	AISI/ASTM
1	Motor		
2	Pump head	Cast iron	ASTM25B
3	Lining	Stainless steel	AISI304
4	Mechanical seal	Tungsten carbide/Carbon	
5	Inducer	Stainless steel	AISI304
6	Diffuser	Stainless steel	AISI304
7	Support diffuser	Stainless steel	AISI304
8	Discharge chamber	Stainless steel	AISI304
9	Inlet & outlet chamber	Stainless steel	AISI304
10	Base plate	Cast iron	ASTM25B
11	Bearing	Tungsten carbide	
12	Impeller	Stainless steel	AISI304
13	Shaft	Stainless steel	AISI304
14	Impeller sleeve	Stainless steel	AISI304
15	Cylinder	Stainless steel	AISI304
16	Coupling	Carbon steel	

Please check with us for other material

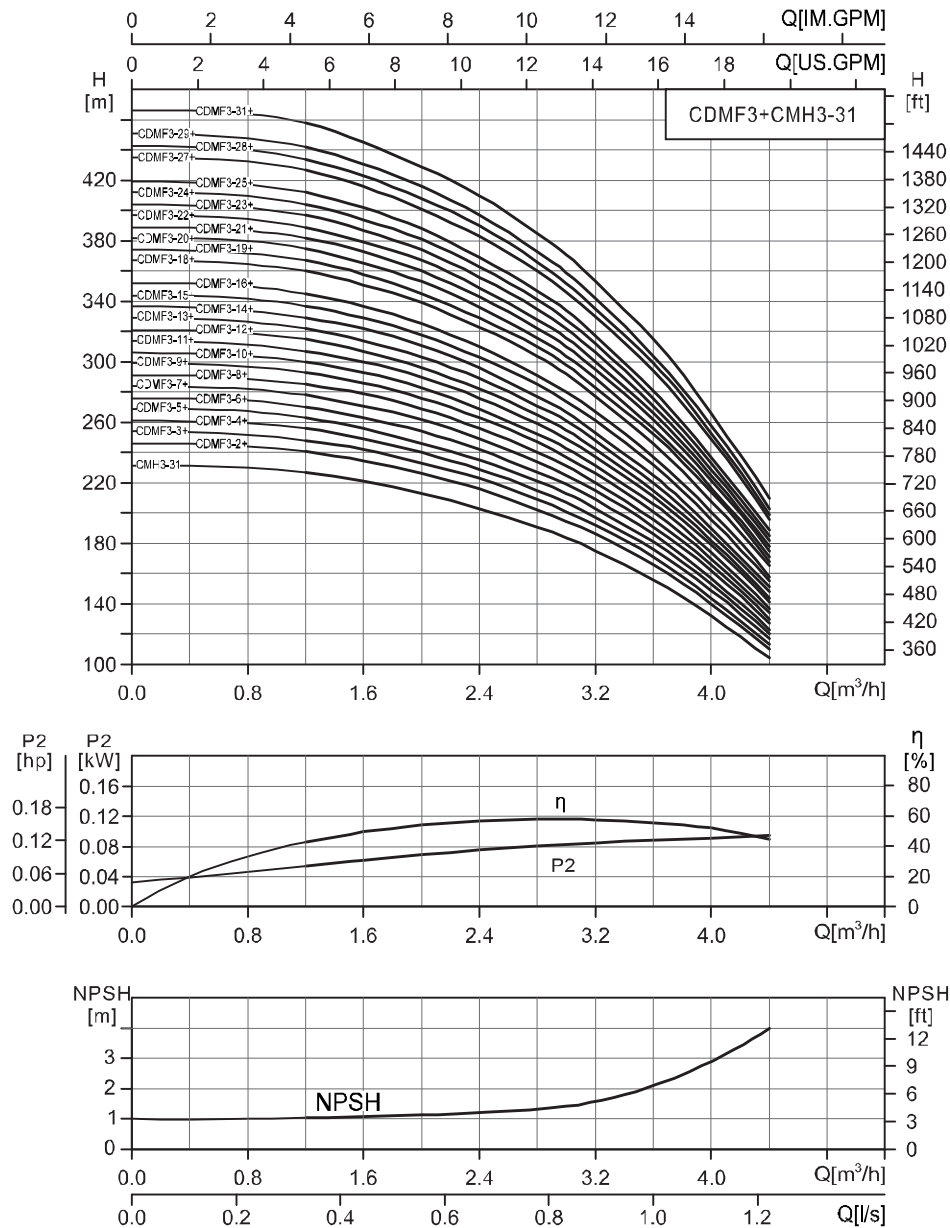
Performance curve



CDMF1+CMH1-40 Performance table

Model	Motor (kW)	Q (m³/h)	0	0.5	0.7	1	1.2	1.4	1.6	1.8	2	2.2	2.4
CDMF1-2+CMH1-40	0.37+2.2	H (m)	246	245	242	233	226	214	201	185	165	141	108
CDMF1-3+CMH1-40	0.37+2.2		252	251	248	239	231	219	205	189	168	144	110
CDMF1-4+CMH1-40	0.37+2.2		258	257	253	244	237	224	210	193	172	147	112
CDMF1-5+CMH1-40	0.37+2.2		263	262	259	250	242	229	214	197	175	150	114
CDMF1-6+CMH1-40	0.37+2.2		269	268	265	255	247	235	219	201	179	153	116
CDMF1-7+CMH1-40	0.37+2.2		275	274	271	262	253	240	224	205	182	156	119
CDMF1-8+CMH1-40	0.55+2.2		281	280	276	266	258	245	229	210	187	160	122
CDMF1-9+CMH1-40	0.55+2.2		287	286	282	272	263	249	233	214	190	163	124
CDMF1-10+CMH1-40	0.55+2.2		293	292	288	278	268	255	238	219	195	167	127
CDMF1-11+CMH1-40	0.55+2.2		298	297	294	284	274	260	243	223	198	169	129
CDMF1-12+CMH1-40	0.75+2.2		304	303	299	290	280	266	249	229	204	173	132
CDMF1-13+CMH1-40	0.75+2.2		310	309	305	296	286	271	253	233	207	176	135
CDMF1-15+CMH1-40	0.75+2.2		322	321	316	307	297	281	263	242	215	183	140
CDMF1-17+CMH1-40	1.1+2.2		333	332	328	318	307	291	273	250	222	189	145
CDMF1-19+CMH1-40	1.1+2.2		346	345	339	329	319	303	283	259	230	195	150
CDMF1-21+CMH1-40	1.1+2.2		358	357	351	340	329	312	292	267	236	201	154
CDMF1-22+CMH1-40	1.1+2.2		364	363	357	345	334	317	297	272	241	205	158
CDMF1-23+CMH1-40	1.5+2.2		370	369	363	351	339	323	303	279	249	212	162
CDMF1-25+CMH1-40	1.5+2.2		382	381	375	362	350	333	313	288	256	219	167
CDMF1-27+CMH1-40	1.5+2.2		393	392	386	373	361	343	322	296	264	226	173
CDMF1-30+CMH1-40	1.5+2.2		411	410	405	390	377	359	337	310	276	236	181
CDMF1-32+CMH1-40	2.2+2.2	423	422	417	403	390	371	347	320	287	246	189	
CDMF1-33+CMH1-40	2.2+2.2	429	428	423	409	396	376	352	325	291	249	191	
CDMF1-34+CMH1-40	2.2+2.2	434	433	429	415	400	381	357	329	295	253	194	
CDMF1-36+CMH1-40	2.2+2.2	446	445	440	426	412	391	367	338	303	260	199	
CDMF1-38+CMH1-40	2.2+2.2	459	458	452	438	424	402	377	348	311	267	205	
CDMF1-40+CMH1-40	2.2+2.2	471	470	464	449	435	413	387	357	319	274	210	

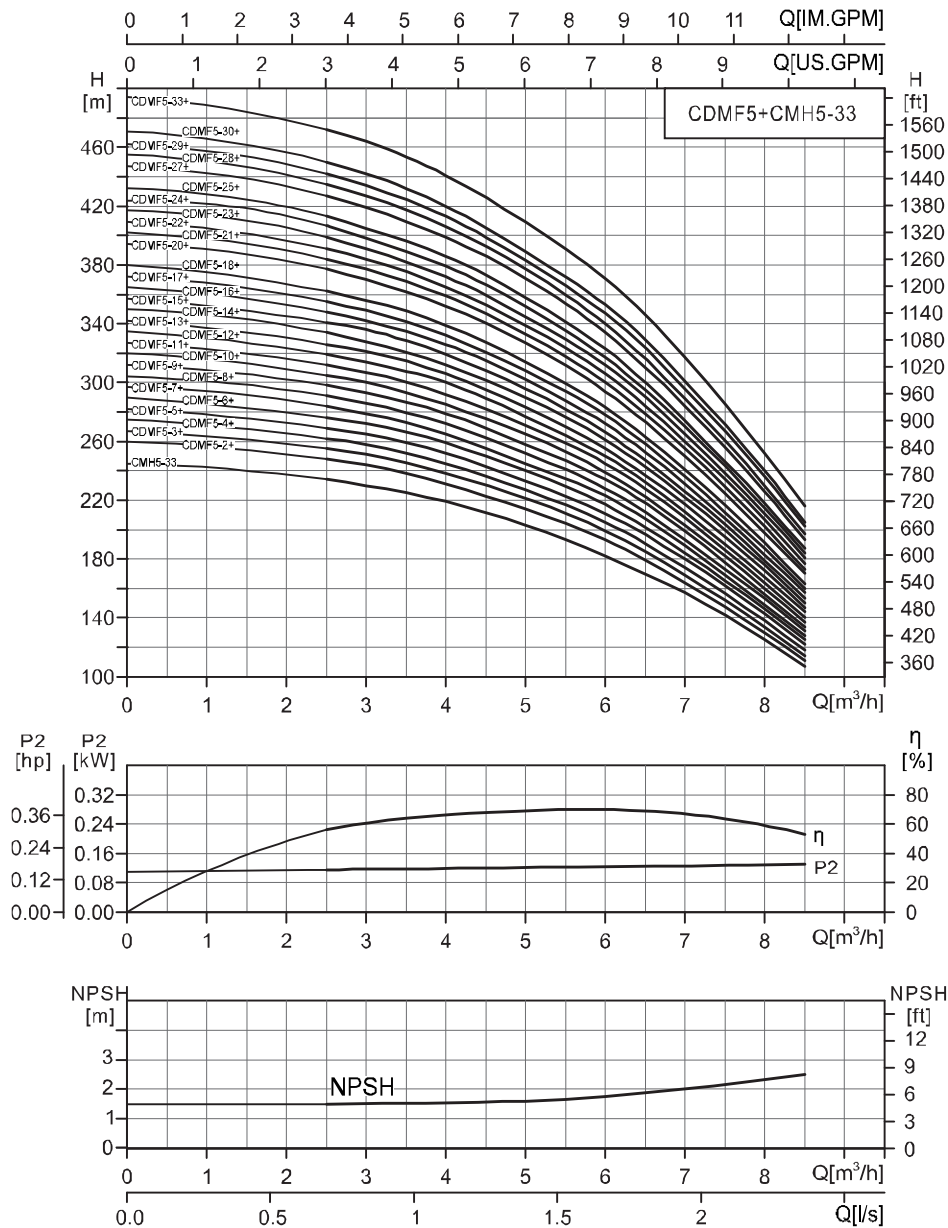
Performance curve



CDM3+CMH3-31 Performance table

Model	Motor (kW)	Q (m³/h)	0	1.2	1.6	2	2.4	2.8	3	3.2	3.6	4	4.4
CDMF3-2+CMH3-31	0.37+3	246	241	234	226	216	202	195	186	166	140	110	
CDMF3-3+CMH3-31	0.37+3	254	248	242	233	223	209	201	192	171	144	113	
CDMF3-4+CMH3-31	0.37+3	261	256	249	240	229	215	207	197	176	149	117	
CDMF3-5+CMH3-31	0.55+3	269	263	256	246	235	221	213	203	181	153	120	
CDMF3-6+CMH3-31	0.55+3	276	270	263	254	242	227	219	209	186	157	123	
CDMF3-7+CMH3-31	0.75+3	284	278	271	262	249	234	225	215	191	162	127	
CDMF3-8+CMH3-31	0.75+3	291	285	279	269	256	240	231	220	196	166	130	
CDMF3-9+CMH3-31	1.1+3	299	293	286	276	263	247	237	226	201	170	134	
CDMF3-10+CMH3-31	1.1+3	306	300	293	283	269	252	243	231	206	174	137	
CDMF3-11+CMH3-31	1.1+3	314	307	300	290	276	259	249	237	211	179	141	
CDMF3-12+CMH3-31	1.1+3	321	315	307	296	282	265	255	242	215	182	144	
CDMF3-13+CMH3-31	1.5+3	329	322	314	303	289	271	261	248	220	186	148	
CDMF3-14+CMH3-31	1.5+3	337	329	322	311	296	277	267	253	225	190	151	
CDMF3-15+CMH3-31	1.5+3	344	337	329	318	303	285	274	261	232	196	155	
CDMF3-16+CMH3-31	1.5+3	352	345	337	325	310	291	280	267	237	201	158	
CDMF3-18+CMH3-31	2.2+3	367	360	351	339	323	304	292	277	246	208	165	
CDMF3-19+CMH3-31	2.2+3	374	367	358	345	329	310	298	283	252	214	168	
CDMF3-20+CMH3-31	2.2+3	382	375	365	353	336	316	304	289	256	217	171	
CDMF3-21+CMH3-31	2.2+3	389	382	373	360	343	322	310	295	262	222	175	
CDMF3-22+CMH3-31	2.2+3	397	389	379	367	349	328	316	300	266	225	178	
CDMF3-23+CMH3-31	2.2+3	404	397	387	374	356	335	322	306	271	229	182	
CDMF3-24+CMH3-31	2.2+3	412	404	394	381	363	341	328	312	276	233	185	
CDMF3-25+CMH3-31	3+3	419	412	402	388	369	347	334	317	281	237	189	
CDMF3-27+CMH3-31	3+3	435	427	416	401	383	360	346	330	294	249	196	
CDMF3-28+CMH3-31	3+3	443	434	423	408	390	366	352	335	299	253	199	
CDMF3-29+CMH3-31	3+3	451	442	431	416	397	373	359	342	304	258	203	
CDMF3-31+CMH3-31	3+3	466	457	445	429	410	385	371	353	315	266	210	

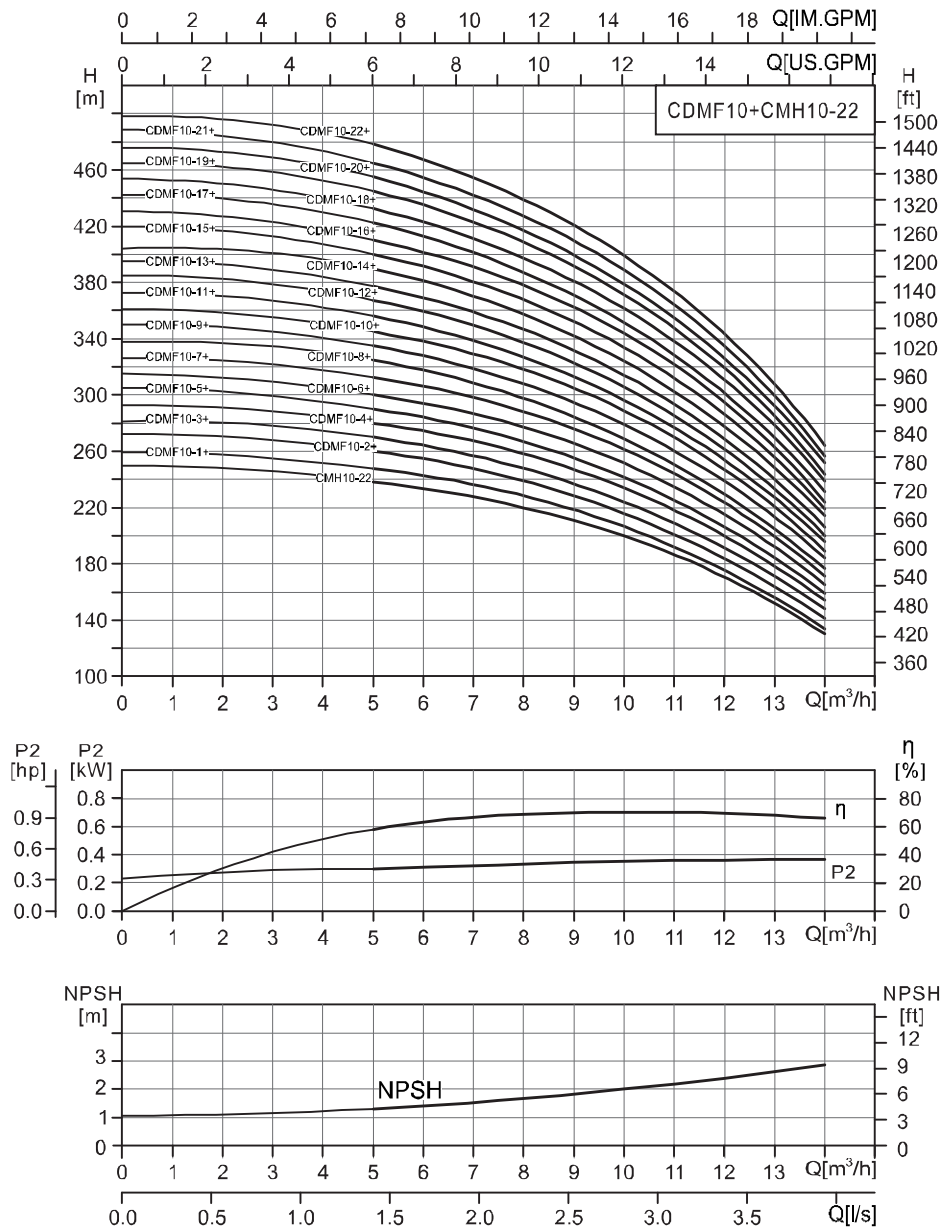
Performance curve



CDMF5+CMH5-33 Performance table

Model	Motor (kW)	Q (m³/h)	0	2.5	3	4	5	6	7	8	8.5
CDMF5-2+CMH5-33	0.37+5.5		260	248	244	231	214	193	164	130	111
CDMF5-3+CMH5-33	0.55+5.5		267	255	251	238	220	199	169	134	114
CDMF5-4+CMH5-33	0.55+5.5		275	262	258	245	227	205	174	138	118
CDMF5-5+CMH5-33	0.75+5.5		282	269	265	252	233	211	180	143	122
CDMF5-6+CMH5-33	1.1+5.5		290	276	272	259	240	217	184	146	125
CDMF5-7+CMH5-33	1.1+5.5		297	284	279	265	245	223	189	149	128
CDMF5-8+CMH5-33	1.1+5.5		304	291	286	272	252	228	193	153	131
CDMF5-9+CMH5-33	1.5+5.5		312	298	293	279	258	234	199	156	134
CDMF5-10+CMH5-33	1.5+5.5		320	305	300	285	265	239	203	160	137
CDMF5-11+CMH5-33	1.5+5.5		327	312	307	292	271	245	208	164	140
CDMF5-12+CMH5-33	2.2+5.5		335	319	314	300	277	250	212	168	144
CDMF5-13+CMH5-33	2.2+5.5		342	326	321	306	283	255	217	172	147
CDMF5-14+CMH5-33	2.2+5.5		350	334	328	312	290	261	222	176	150
CDMF5-15+CMH5-33	2.2+5.5		357	341	336	319	296	266	226	179	153
CDMF5-16+CMH5-33	2.2+5.5		365	348	342	326	302	272	231	183	157
CDMF5-17+CMH5-33	3+5.5		372	355	349	332	308	278	236	187	160
CDMF5-18+CMH5-33	3+5.5		380	362	356	339	314	283	241	191	163
CDMF5-20+CMH5-33	3+5.5		394	377	370	352	327	294	250	198	170
CDMF5-21+CMH5-33	3+5.5		402	384	377	359	333	300	255	202	173
CDMF5-22+CMH5-33	4+5.5		409	391	384	365	339	306	260	207	177
CDMF5-23+CMH5-33	4+5.5		417	399	391	372	345	312	265	211	181
CDMF5-24+CMH5-33	4+5.5		424	406	398	379	352	317	270	215	184
CDMF5-25+CMH5-33	4+5.5		432	413	405	386	358	323	274	218	187
CDMF5-27+CMH5-33	4+5.5		447	427	419	399	371	334	284	226	193
CDMF5-28+CMH5-33	4+5.5		455	435	427	406	377	340	289	230	197
CDMF5-29+CMH5-33	5.5+5.5		462	442	434	413	383	347	296	236	202
CDMF5-30+CMH5-33	5.5+5.5		471	450	442	420	389	353	301	240	205
CDMF5-33+CMH5-33	5.5+5.5		494	472	464	441	409	371	317	252	216

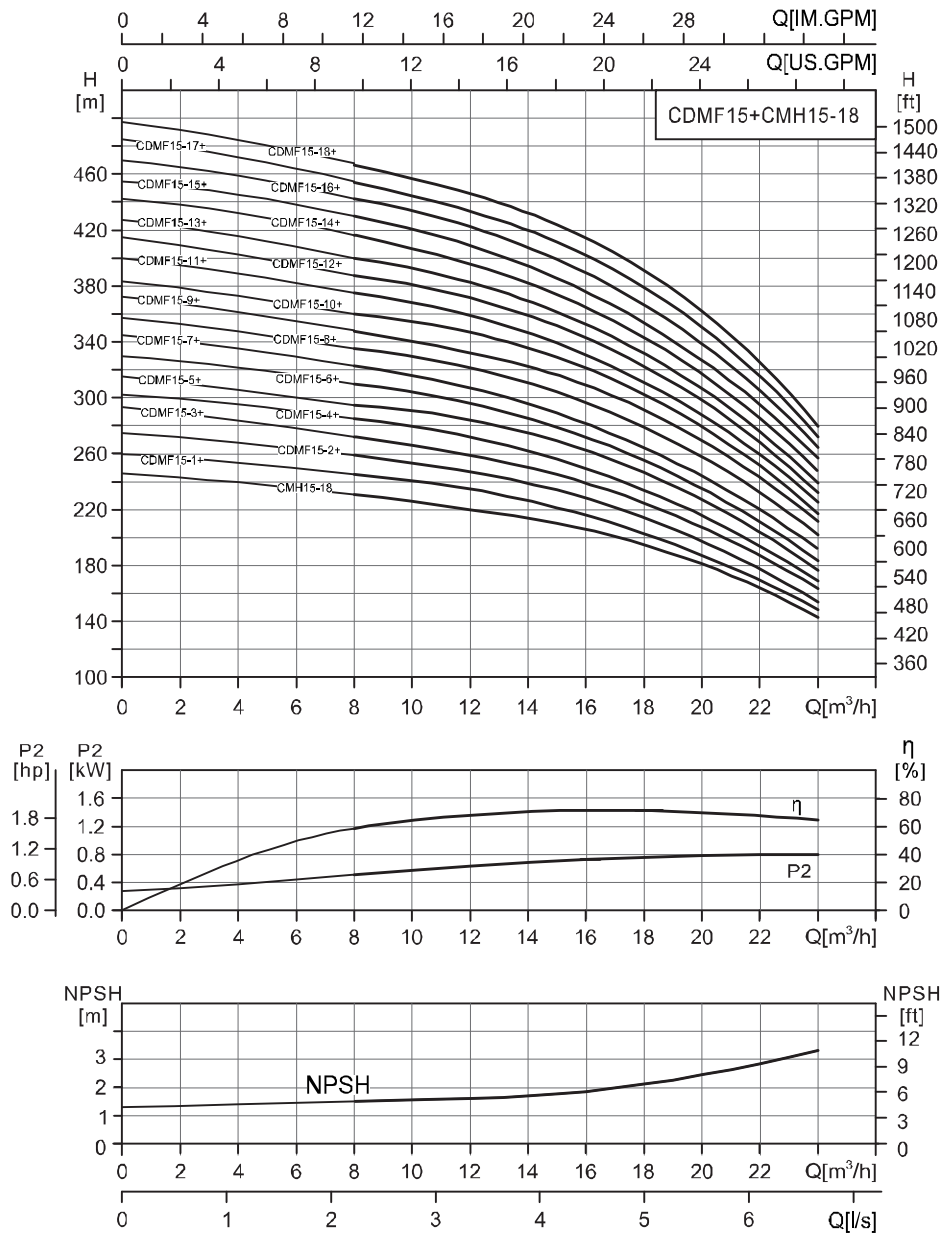
Performance curve



CDMF10+CMH10-22 Performance table

Model	Motor (kW)	Q (m³/h)	0	5	6	8	10	12	14
CDMF10-1+CMH10-22	0.75+11	H (m)	259	248.2	243	228	209	178	137.5
CDMF10-2+CMH10-22	0.75+11		270.2	259	253.5	238	217.5	184.5	142.5
CDMF10-3+CMH10-22	1.1+11		281.3	269.5	264	247.5	226.5	193	149.5
CDMF10-4+CMH10-22	1.5+11		292.5	280	274	257	235	200	155
CDMF10-5+CMH10-22	2.2+11		304	290.5	284	267	244	208	161
CDMF10-6+CMH10-22	2.2+11		315	301	295	277	253	215	167
CDMF10-7+CMH10-22	3+11		326.5	312	306	288	263	223	173
CDMF10-8+CMH10-22	3+11		338	323	317	298	272	231	179
CDMF10-9+CMH10-22	4+11		349.5	334	327	308	281	238	185
CDMF10-10+CMH10-22	4+11		361	345	338	317	290	247	191
CDMF10-11+CMH10-22	4+11		372	356	348	327	299	255	197
CDMF10-12+CMH10-22	4.5+11		385	367	360	338	308	262	203
CDMF10-13+CMH10-22	5.5+11		395	378	371	349	317	270	209
CDMF10-14+CMH10-22	5.5+11		408	389	381	358	326	277	215
CDMF10-15+CMH10-22	5.5+11		419	400	392	368	335	285	221
CDMF10-16+CMH10-22	7.5+11		431	411	403	378	345	294	227
CDMF10-17+CMH10-22	7.5+11		442	422	413	388	354	301	233
CDMF10-18+CMH10-22	7.5+11		453	433	424	399	364	312	241
CDMF10-19+CMH10-22	7.5+11		465	444	434	409	373	318	246
CDMF10-20+CMH10-22	7.5+11		476	455	446	419	382	326	253
CDMF10-21+CMH10-22	7.5+11		488	466	456	429	392	333	259
CDMF10-22+CMH10-22	11+11		498	478	468	440	402	342	265

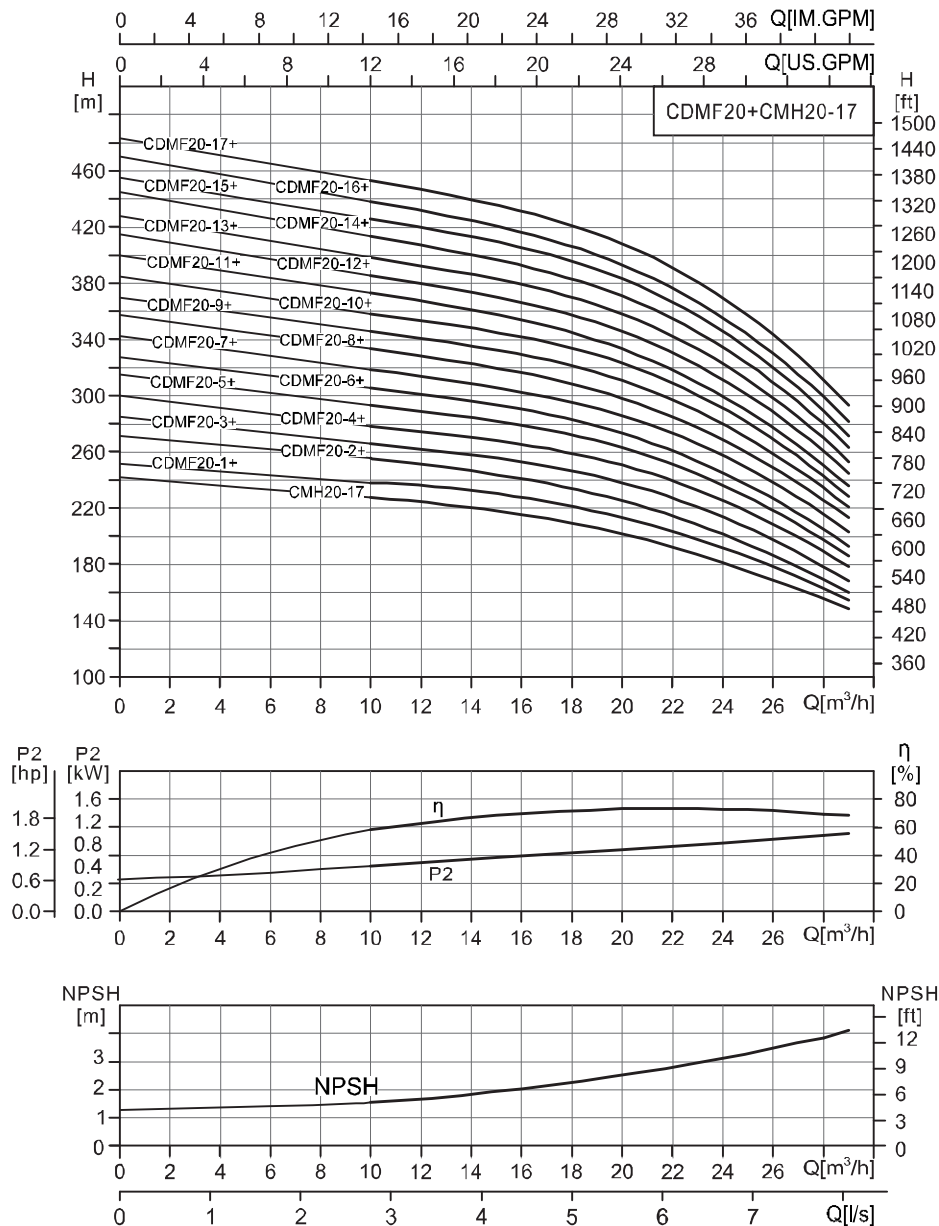
Performance curve



CDMF15+CMH15-18 Performance table

Model	Motor (kW)	Q (m³/h)	0	8	10	12	14	15	16	18	20	22	24
CDMF15-1+CMH15-18	1.1+15	260.6	245.2	241	234.8	227.5	222	217.5	205	190	172	150.5	
CDMF15-2+CMH15-18	2.2+15	274	257.5	253	246.5	239	233.5	228.5	215	199	180	157.5	
CDMF15-3+CMH15-18	3+15	288	270.5	266	259.5	251.5	245.5	241	227	210	189	165	
CDMF15-4+CMH15-18	4+15	302	283.5	279	272	263.5	258	253	238	220	198	172.5	
CDMF15-5+CMH15-18	4+15	316	296	291	284	275	269	264	248	229	206.5	180	
CDMF15-6+CMH15-18	5.5+15	330	309	304	296	287	280	274	258	239	216	187	
CDMF15-7+CMH15-18	5.5+15	344	322	317	309	299	292	286	269	249	225	195	
CDMF15-8+CMH15-18	7.5+15	358	335	329	321	311	304	298	280	259	233	203	
CDMF15-9+CMH15-18	7.5+15	372	348	342	334	324	317	310	291	269	242	211	
CDMF15-10+CMH15-18	11+15	386	361	355	347	337	329	322	302	279	251	219	
CDMF15-11+CMH15-18	11+15	399	375	369	360	349	341	333	312	288	259	227	
CDMF15-12+CMH15-18	11+15	414	387	381	372	361	353	345	324	298	268	234	
CDMF15-13+CMH15-18	11+15	428	400	393	383	371	363	355	333	307	277	243	
CDMF15-14+CMH15-18	11+15	442	413	406	396	384	376	367	344	317	286	250	
CDMF15-15+CMH15-18	15+15	456	429	421	411	398	389	380	356	328	296	260	
CDMF15-16+CMH15-18	15+15	470	442	434	423	410	400	391	367	338	306	269	
CDMF15-17+CMH15-18	15+15	484	455	447	436	422	412	403	378	348	315	276	
CDMF15-18+CMH15-18	15+15	498	468	460	448	434	424	414	389	358	324	285	

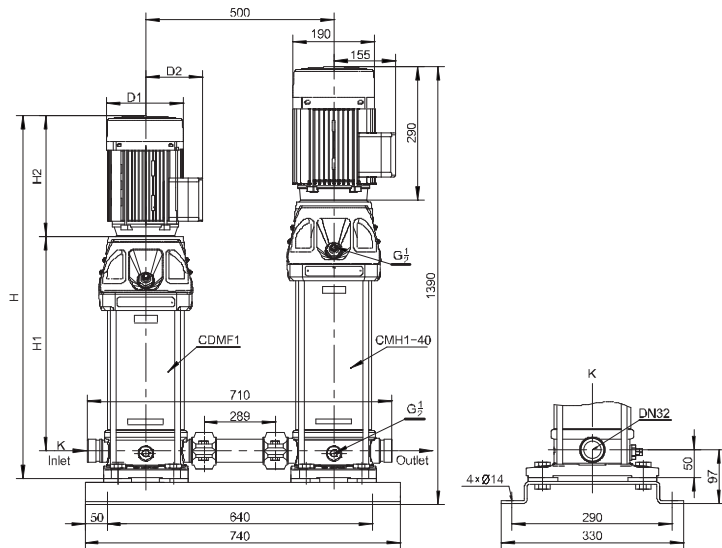
Performance curve



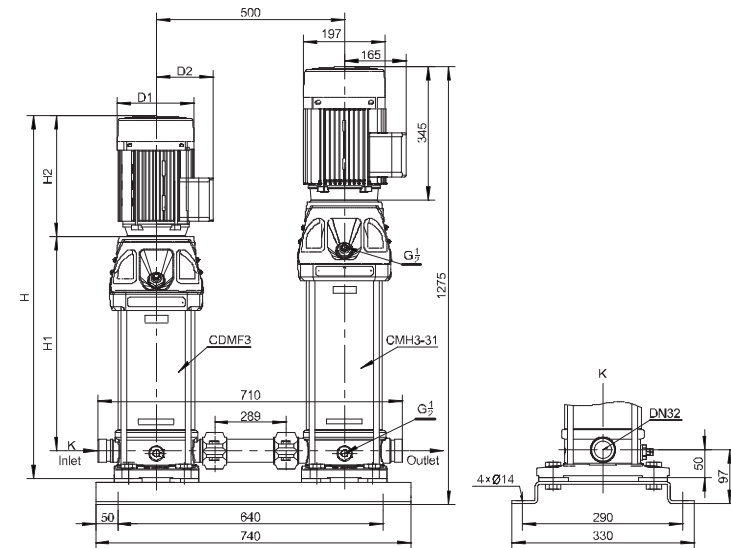
CDMF20+CMH20-17 Performance table

Model	Motor (kW)	Q (m³/h)	0	10	12	14	16	18	20	22	24	26	28	29
CDMF20-1+CMH20-17	1.1+18.5	H (m)	257.3	240.5	237.3	233	228.5	223	215.5	205	191.5	179	165	152
CDMF20-2+CMH20-17	2.2+18.5		271.2	253.5	250	245.5	241	236	228	217	202.5	188	173	159.5
CDMF20-3+CMH20-17	4+18.5		285.5	267.5	264	259	254	248	240	228	213	198	182	168.5
CDMF20-4+CMH20-17	5.5+18.5		299.5	280.5	276	271	266	260.5	252	240	223.5	207	190	176.5
CDMF20-5+CMH20-17	5.5+18.5		313.5	294	290	285	279	272	263	250	233	217	199	185
CDMF20-6+CMH20-17	7.5+18.5		328	307	303	298	292	285	275	261	244	228	209	193
CDMF20-7+CMH20-17	7.5+18.5		342	320.5	316	311	305	297	287	273	255	238	218	202.5
CDMF20-8+CMH20-17	11+18.5		357	334	330	324	318	310	300	285	266	247	227	211
CDMF20-10+CMH20-17	11+18.5		385	361	357	351	344	335	324	308	288	267	245	228
CDMF20-12+CMH20-17	15+18.5		415	388	383	377	370	361	348	332	309	287	263	245
CDMF20-14+CMH20-17	15+18.5		444	415	410	404	396	386	373	355	331	307	281	262
CDMF20-17+CMH20-17	18.5+18.5		488	456	450	443	435	424	410	390	364	338	311	292

CDMF1+CMH1-40 Installation sketch



CDMF3+CMH3-31 Installation sketch



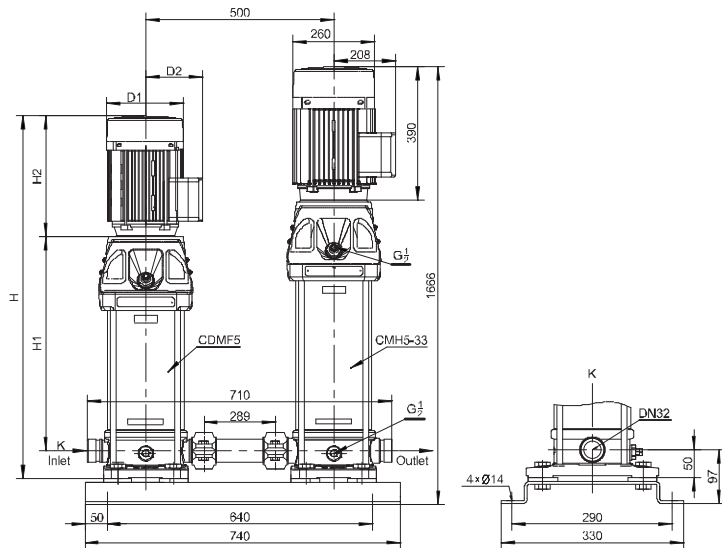
Dimensions and weights

Model	Dimension (mm)					Weight(kg)
	H1	H2	H	D1	D2	
CDMF1-2+CMH1-40	187	215	452	148	117	83
CDMF1-3+CMH1-40	207	215	472	148	117	83
CDMF1-4+CMH1-40	227	215	492	148	117	84
CDMF1-5+CMH1-40	247	215	512	148	117	84
CDMF1-6+CMH1-40	267	215	532	148	117	85
CDMF1-7+CMH1-40	287	215	552	148	117	85
CDMF1-8+CMH1-40	307	215	572	148	117	87
CDMF1-9+CMH1-40	327	215	592	148	117	87
CDMF1-10+CMH1-40	347	215	612	148	117	88
CDMF1-11+CMH1-40	367	215	632	148	117	88
CDMF1-12+CMH1-40	397	245	692	170	142	91
CDMF1-13+CMH1-40	417	245	712	170	142	91
CDMF1-15+CMH1-40	457	245	752	170	142	92
CDMF1-17+CMH1-40	497	245	792	170	142	95
CDMF1-19+CMH1-40	537	245	832	170	142	96
CDMF1-21+CMH1-40	577	245	872	170	142	97
CDMF1-22+CMH1-40	597	245	892	170	142	97
CDMF1-23+CMH1-40	627	290	967	190	155	103
CDMF1-25+CMH1-40	667	290	1007	190	155	104
CDMF1-27+CMH1-40	707	290	1047	190	155	105
CDMF1-30+CMH1-40	767	290	1107	190	155	106
CDMF1-32+CMH1-40	807	290	1147	190	155	109
CDMF1-33+CMH1-40	827	290	1167	190	155	109
CDMF1-34+CMH1-40	847	290	1187	190	155	110
CDMF1-36+CMH1-40	887	290	1227	190	155	111
CDMF1-38+CMH1-40	927	290	1267	190	155	111
CDMF1-40+CMH1-40	967	290	1307	190	155	112

Dimensions and weights

Model	Dimension (mm)					Weight(kg)
	H1	H2	H	D1	D2	
CDMF3-2+CMH3-31	187	215	452	148	117	90
CDMF3-3+CMH3-31	207	215	472	148	117	90
CDMF3-4+CMH3-31	227	215	492	148	117	91
CDMF3-5+CMH3-31	247	215	512	148	117	92
CDMF3-6+CMH3-31	267	215	532	148	117	93
CDMF3-7+CMH3-31	297	245	592	170	142	96
CDMF3-8+CMH3-31	317	245	612	170	142	96
CDMF3-9+CMH3-31	337	245	632	170	142	98
CDMF3-10+CMH3-31	357	245	652	170	142	99
CDMF3-11+CMH3-31	377	245	672	170	142	99
CDMF3-12+CMH3-31	397	245	692	170	142	100
CDMF3-13+CMH3-31	427	290	767	190	155	105
CDMF3-14+CMH3-31	447	290	787	190	155	106
CDMF3-15+CMH3-31	467	290	807	190	155	106
CDMF3-16+CMH3-31	487	290	827	190	155	107
CDMF3-18+CMH3-31	527	290	867	190	155	109
CDMF3-19+CMH3-31	547	290	887	190	155	110
CDMF3-20+CMH3-31	567	290	907	190	155	110
CDMF3-21+CMH3-31	587	290	927	190	155	111
CDMF3-22+CMH3-31	607	290	947	190	155	111
CDMF3-23+CMH3-31	627	290	967	190	155	112
CDMF3-24+CMH3-31	647	290	987	190	155	122
CDMF3-25+CMH3-31	677	345	1072	197	165	123
CDMF3-27+CMH3-31	717	345	1112	197	165	124
CDMF3-28+CMH3-31	737	345	1132	197	165	124
CDMF3-29+CMH3-31	757	345	1152	197	165	124
CDMF3-31+CMH3-31	797	345	1192	197	165	125

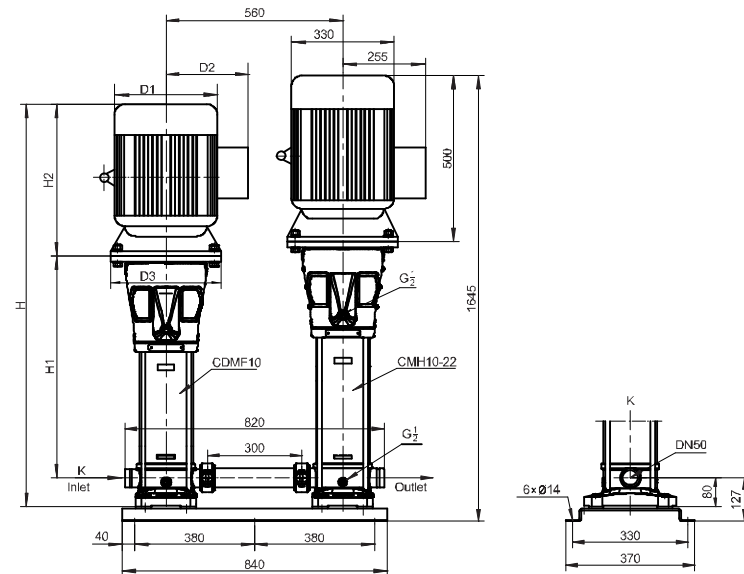
CDMF5+CMH5-33 Installation sketch



Dimensions and weights

Model	Dimension (mm)					Weight(kg)
	H1	H2	H	D1	D2	
CDMF5-2+CMH5-33	201	215	466	148	117	118
CDMF5-3+CMH5-33	228	215	493	148	117	120
CDMF5-4+CMH5-33	255	215	520	148	117	121
CDMF5-5+CMH5-33	292	245	587	170	142	124
CDMF5-6+CMH5-33	319	245	614	170	142	126
CDMF5-7+CMH5-33	346	245	641	170	142	126
CDMF5-8+CMH5-33	373	245	668	170	142	127
CDMF5-9+CMH5-33	410	290	750	190	155	132
CDMF5-10+CMH5-33	437	290	777	190	155	133
CDMF5-11+CMH5-33	464	290	804	190	155	133
CDMF5-12+CMH5-33	491	290	831	190	155	136
CDMF5-13+CMH5-33	518	290	858	190	155	136
CDMF5-14+CMH5-33	545	290	885	190	155	137
CDMF5-15+CMH5-33	572	290	912	190	155	137
CDMF5-16+CMH5-33	599	290	939	190	155	138
CDMF5-17+CMH5-33	636	345	1030	197	165	149
CDMF5-18+CMH5-33	663	345	1058	197	165	149
CDMF5-20+CMH5-33	717	345	1112	197	165	150
CDMF5-21+CMH5-33	744	345	1139	197	165	151
CDMF5-22+CMH5-33	771	355	1176	230	188	158
CDMF5-23+CMH5-33	798	355	1203	230	188	159
CDMF5-24+CMH5-33	825	355	1230	230	188	159
CDMF5-25+CMH5-33	852	355	1257	230	188	160
CDMF5-27+CMH5-33	906	355	1311	230	188	161
CDMF5-28+CMH5-33	933	355	1338	230	188	161
CDMF5-29+CMH5-33	1035	390	1475	260	208	181
CDMF5-30+CMH5-33	1062	390	1502	260	208	182
CDMF5-33+CMH5-33	1143	390	1583	260	208	183

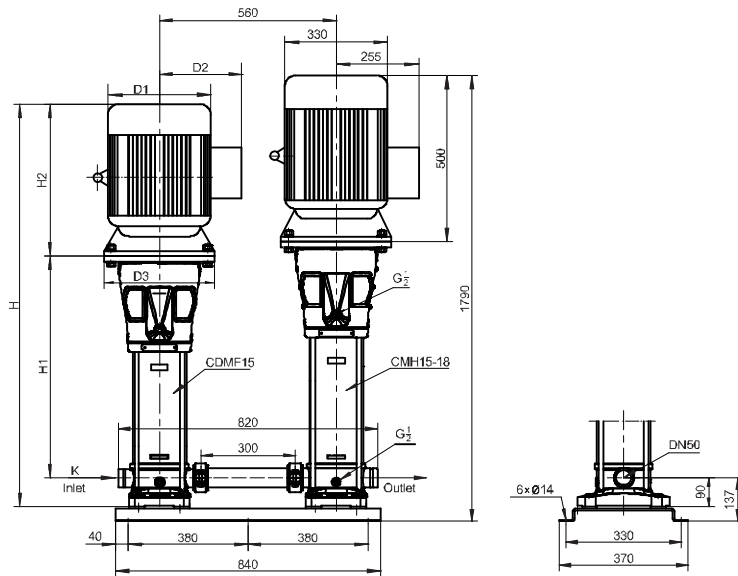
CDMF10+CMH10-22 Installation sketch



Dimensions and weights

Model	Dimension (mm)						Weight(kg)
	H1	H2	H	D1	D2	D3	
CDMF10-1+CMH10-22	267	245	592	170	142	140	217
CDMF10-2+CMH10-22	267	245	592	170	142	140	218
CDMF10-3+CMH10-22	297	245	622	170	142	140	221
CDMF10-4+CMH10-22	337	290	707	190	155	145	227
CDMF10-5+CMH10-22	367	290	737	190	155	145	231
CDMF10-6+CMH10-22	397	290	767	190	155	145	232
CDMF10-7+CMH10-22	437	345	862	197	165	160	243
CDMF10-8+CMH10-22	467	345	892	197	165	160	244
CDMF10-9+CMH10-22	497	355	932	230	188	160	251
CDMF10-10+CMH10-22	527	355	962	230	188	160	252
CDMF10-11+CMH10-22	557	355	992	230	188	160	253
CDMF10-12+CMH10-22	587	355	1022	230	188	160	254
CDMF10-13+CMH10-22	695	390	1165	260	208	200	274
CDMF10-14+CMH10-22	725	390	1195	260	208	200	275
CDMF10-15+CMH10-22	755	390	1225	260	208	200	276
CDMF10-16+CMH10-22	785	390	1255	260	208	200	285
CDMF10-17+CMH10-22	815	390	1285	260	208	200	286
CDMF10-18+CMH10-22	845	390	1315	260	208	200	287
CDMF10-19+CMH10-22	875	390	1345	260	208	200	288
CDMF10-20+CMH10-22	905	390	1375	260	208	200	289
CDMF10-21+CMH10-22	935	390	1405	260	208	200	290
CDMF10-22+CMH10-22	985	500	1575	330	255	350	356

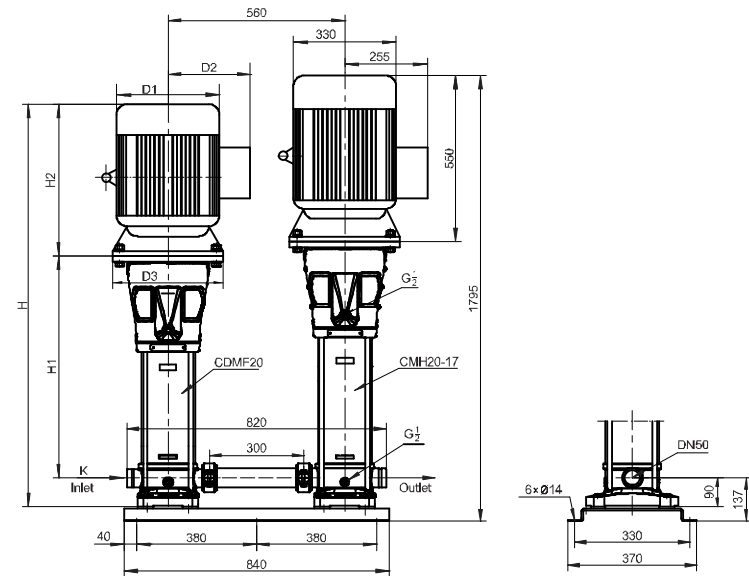
CDMF15+CMH15-18 Installation sketch



Dimensions and weights

Model	Dimension (mm)						Weight(kg)
	H1	H2	H	D1	D2	D3	
CDMF15-1+CMH15-18	297	245	632	170	142	140	231
CDMF15-2+CMH15-18	307	290	687	190	155	145	239
CDMF15-3+CMH15-18	362	345	797	197	165	160	250
CDMF15-4+CMH15-18	407	355	852	230	188	160	257
CDMF15-5+CMH15-18	452	355	897	230	188	160	259
CDMF15-6+CMH15-18	575	390	1055	260	208	200	281
CDMF15-7+CMH15-18	620	390	1100	260	208	200	282
CDMF15-8+CMH15-18	665	390	1145	260	208	200	289
CDMF15-9+CMH15-18	710	500	1190	330	208	200	290
CDMF15-10+CMH15-18	785	500	1375	330	255	350	348
CDMF15-11+CMH15-18	830	500	1420	330	255	350	350
CDMF15-12+CMH15-18	875	500	1465	330	255	350	351
CDMF15-13+CMH15-18	920	500	1510	330	255	350	353
CDMF15-14+CMH15-18	965	500	1555	330	255	350	354
CDMF15-15+CMH15-18	1010	500	1600	330	255	350	370
CDMF15-16+CMH15-18	1055	500	1645	330	255	350	372
CDMF15-17+CMH15-18	1100	500	1690	330	255	350	373
CDMF15-18+CMH15-18	1145	500	1735	330	255	350	375

CDMF20+CMH20-17 Installation sketch



Dimensions and weights

Model	Dimension (mm)						Weight(kg)
	H1	H2	H	D1	D2	D3	
CDMF20-1+CMH20-17	297	245	632	170	142	140	259
CDMF20-2+CMH20-17	307	290	687	190	155	145	267
CDMF20-3+CMH20-17	362	355	807	230	188	160	285
CDMF20-4+CMH20-17	485	390	965	260	208	200	307
CDMF20-5+CMH20-17	530	390	1010	260	208	200	309
CDMF20-6+CMH20-17	575	390	1055	260	208	200	318
CDMF20-7+CMH20-17	620	390	1100	330	208	200	319
CDMF20-8+CMH20-17	695	500	1285	330	255	350	386
CDMF20-10+CMH20-17	785	500	1375	330	255	350	389
CDMF20-12+CMH20-17	875	500	1465	330	255	350	407
CDMF20-14+CMH20-17	965	500	1555	330	255	350	410
CDMF20-17+CMH20-17	1100	550	1740	330	255	350	431

MEMO

A series of horizontal dashed lines for writing.

MEMO

A series of horizontal dashed lines for writing.

