

QY(B) 50Hz/60Hz
Stainless steel self-suction gas-liquid mixing pump

QYL(B)



REPRESENTATIVE IN GEORGIA

Address: Tbilisi; Libani street 2

Tel: +995 032 248 35 62

Email: info@cnp.ge

Website: cnp.ge



E190401
Code1500039314
subject to amendments



PUMPINGS.STORE : 096-385-8065

Company Profile



Founded in 1991, Nanfang Pump Industry Co., Ltd. (hereinafter referred to as CNP) has been listed on the Shenzhen Stock Exchange on 9th December 2010; Stock name: CNP; Stock code: 300145.

As the first enterprise specializing in the research and large-scale production of stainless steel stamping welded centrifugal pump in China, CNP is currently the professional manufacturer with the highest volume of production and marketing in that industry. It ranks first in the country in terms of product scope, sales volume, and production quality. The company has set up a complete network of marketing services to meet the requirements of overseas markets as well as domestic needs. The products have seen a wide range of application in the area of pressurization, industry, living water, cycling of air-conditioning water, heat supply, fire extinguishing system, pumping of underground water, treatment of sewage and waste water, chemical industry and desalination of sea water etc.

CNP has now entered into the fast track of development and has taken a major step forward in forging China Strong Pump Enterprise and World's famous brand in the Pump Industry. In order to better meet the client's needs and requirements for expansion, it has set up a wide network of selling and service, as well as offices and service centers in major cities in China, which are aimed at providing timely and effective services for our clients. Meanwhile, our company has successfully penetrated into the world market by forging a good business relationship with more than 50 countries and regions in the Europe, Northern American, and Southeast Asia etc.

Content

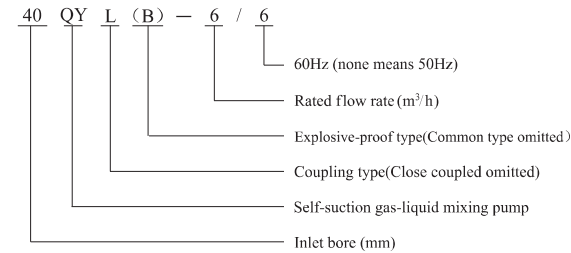
General Data

Definition of model	4
Working conditions	4
Application	4
Features	4

Technical Data

Performance curve	5
Performance table	6
QY(B) Installation dimensions	7
QYL(B) Installation dimensions	9

● Definition of model



● Working conditions

- QY and QYL designed for clear and low viscosity liquid, or liquid containing extra-fine foreign matters.
- QYB and QYLB designed for clear and low viscosity liquid, or explosive flammable liquid which containing very little solids.
- Liquid Temperature: -15°C ~ 105°C
- Maximum ambient temperature: +40°C
- Gas-liquid ratio 1:9 (gas suction volume 8 ~ 10%)
- Inlet: horizontal, Outlet: Vertical

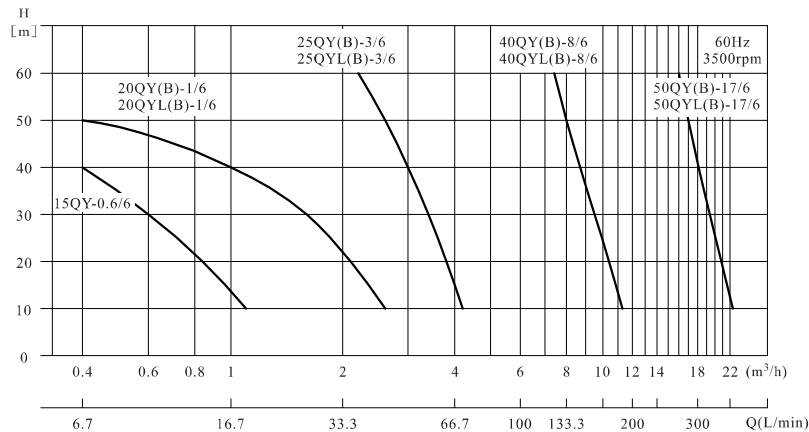
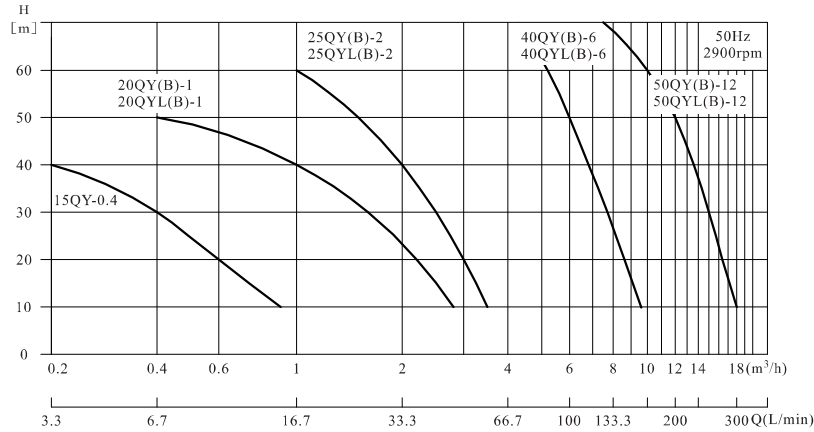
● Application

- Air suspension treating equipment, ozone water preparing equipment, and biological treating equipment.
- Feeding of heating or cooling medium for various temperature adjusting devices.
- Various filters: sucking or high pressure transferring low viscosity liquid from underground tank, such as gasoline and various solvent.
- Misting treatment of clear water, pure water, foods, chemical solution and waste solution.
- Strict applications (continuous running, abrupt variation in hydraulic pressure): such as small scale steam boiler, high building water supply, high pressure water injection to high pressure tank, and suction from vacuum tank.
- Sampling from river or tank, transfer foamable liquid, transfer liquid through long and horizontal pipeline, where air pockets likely occur.

● Features

- It can suck water while sucking gas and pressurize and mix them inside it. Ultra fine air bubble 20 ~ 30 μ. It renders a good gas liquid solving effect.
- It has stable performances, high efficiency and low noise level, and its gas liquid solving efficiency is as high as twice that of the traditional mode.
- When it is used in air suspension unit, air compressors, various mixers, high pressure air solving tanks and releasers may be saved and thus the weakness of instable air supply and boiling of large air bubble which likely occur in traditional working model will be eliminated.
- When it is used in ozone water preparing equipment, many mixers and large oxidation towers may be saved and thus the cost for equipment will be greatly reduced. In addition, its gas liquid solving ratio may exceed 95%.
- It is simple in structure and operation, easy in maintenance and durable and needs less components. It has a good self suction capacity and a wide application range.

● Performance curve



● Performance table

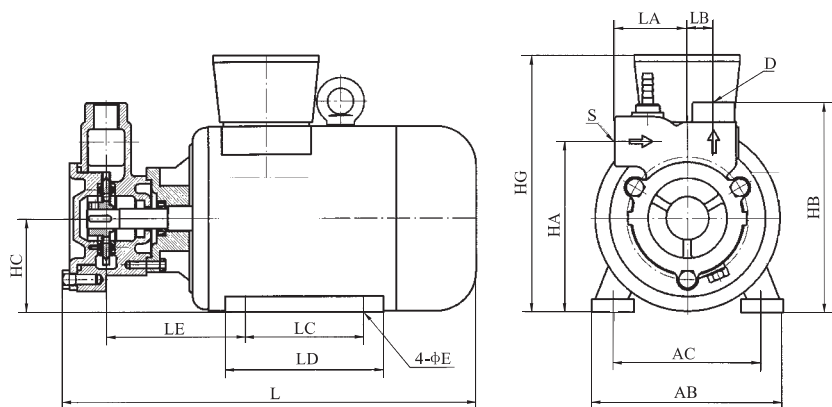
50Hz

Model	Driving motor			H (m)	10	20	30	40	50	60	70								
	(kW)	(hp)	PH																
15QY-0.4	0.3	0.4	1PH 3PH	Q (m³/h)	0.9	0.6	0.4	0.2	—	—	—								
20QY-1	0.55	0.75	1PH 3PH		2.8	2.2	1.6	1	0.4	—	—								
20QYB-1			3PH		3.5	3	2.5	2	1.5	1	—								
25QY-2	1.1	1.5	1PH 3PH		Q (m³/h)	9.6	8.6	7.7	6.8	6	5.2	4.3							
25QYB-2			3PH																
40QY-6	3	4	3PH																
40QYB-6	4	5.5	3PH																
50QY-12	5.5	7.5	3PH																
50QYB-12	7.5	10																	
20QYL-1	0.55	0.75	1PH 3PH										2.8	2.2	1.6	1	0.4	—	—
20QYLB-1			3PH	3.5									3	2.5	2	1.5	1	—	
25QYL-2	1.1	1.5	1PH 3PH	Q (m³/h)									9.6	8.6	7.7	6.8	6	5.2	4.3
25QYLB-2			3PH																
40QYL-6	4	5.5	3PH																
40QYLB-6			3PH																
50QYL-12	7.5	10	3PH		18	16.4	15	13.6	12	10	7.5								
50QYLB-12			3PH																

60Hz

Model	Driving motor			H (m)	10	20	30	40	50	60							
	(kW)	(hp)	PH														
15QY-0.6/6	0.45	0.6	1PH 3PH	Q (m³/h)	1.1	0.8	0.6	0.4	—	—							
20QY-1/6	0.75	1	1PH 3PH														
20QYB-1/6	0.55	0.75	3PH														
25QY-3/6	1.5	2	1PH 3PH								4.2	3.8	3.4	3	2.6	2.2	
25QYB-3/6			3PH														
40QY-8/6	4	5.5	3PH								Q (m³/h)	11.3	10.4	9.5	8.7	8	7.4
40QYB-8/6			3PH														
50QY-17/6	7.5	10	3PH														
50QYB-17/6			3PH														
20QYL-1/6	0.75	1	1PH 3PH														
20QYLB-1/6	0.55	0.75	3PH	4.2	3.8	3.4	3	2.6	2.2								
25QYL-3/6	1.5	2	1PH 3PH	Q (m³/h)	11.3	10.4	9.5	8.7	8	7.4							
25QYLB-3/6			3PH														
40QYL-8/6	4	5.5	3PH														
40QYLB-8/6			3PH														
50QYL-17/6	7.5	10	3PH								22.4	20.8	19.4	18.1	17	16	
50QYLB-17/6			3PH														

● QY(B) Installation sketch



● QY(B) Installation dimensions

50Hz

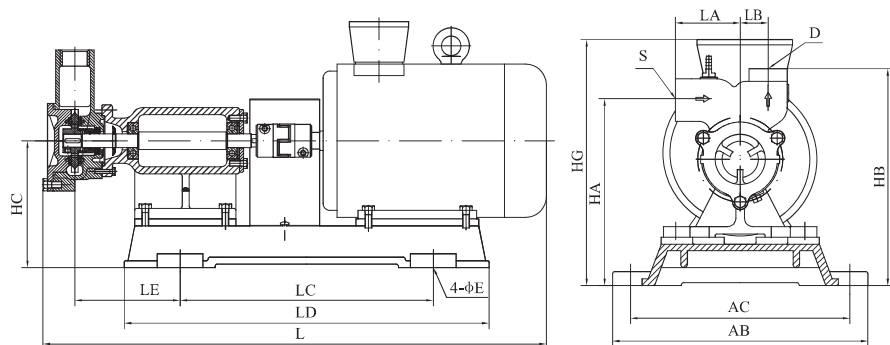
Model	HA	HB	HC	HG	AB	AC	L	LA	LB	LC	LD	LE	S	D	E	weight [kg]
15QY-0.4	117	143	63	188	120	100	265	52.5	16	80	104	98	G½	G¾	Φ7	7
20QY-1	129	159	71	180	135	112	310	55	20	90	110	100	G¾	G½	Φ9	10
20QYB-1	129	159	71	270	140	112	350	55	20	90	114	100	G¾	G½	Φ9	20
25QY-2	150	185	80	195	155	125	345	60	28	100	130	105	G1	G¾	Φ10	17
25QYB-2	150	185	80	340	165	125	400	60	28	100	135	105	G1	G¾	Φ10	27
40QY-6	185	230	100	230	190	160	445	70	40	140	170	140	G1½	G1¼	Φ12	36
40QYB-6	197	242	112	365	240	190	550	70	40	140	180	140	G1½	G1¼	Φ12	67
50QY-12	232	288	132	300	250	216	520	77	47	140	175	180	G2	G1½	Φ12	63
50QYB-12	232	288	132	410	280	216	580	77	47	140	190	180	G2	G1½	Φ12	94

60Hz

Model	HA	HB	HC	HG	AB	AC	L	LA	LB	LC	LD	LE	S	D	E	weight [kg]
15QY-0.6/6	117	143	63	188	120	100	265	52.5	16	80	104	98	G½	G¾	Φ7	7
20QY-1/6	129	159	71	180	135	112	310	55	20	90	110	100	G¾	G½	Φ9	10
20QYB-1/6	129	159	71	270	140	112	350	55	20	90	114	100	G¾	G½	Φ9	20
25QY-3/6	150	185	80	195	155	125	345	60	28	100	130	105	G1	G¾	Φ10	17
25QYB-3/6	160	195	90	340	176	140	445	60	28	100	130	105	G1	G¾	Φ10	33
40QY-8/6	185	230	100	230	190	160	445	70	40	140	170	140	G1½	G1¼	Φ12	36
40QYB-8/6	197	242	112	365	240	190	550	70	40	140	180	140	G1½	G1¼	Φ12	67
50QY-17/6	232	288	132	300	250	216	520	77	47	140	175	180	G2	G1½	Φ12	63
50QYB-17/6	232	288	132	410	280	216	580	77	47	140	190	180	G2	G1½	Φ12	94



● QYL(B) Installation sketch



● QYL(B) Installation dimensions

50Hz

Model	HA	HB	HC	HG	AB	AC	L	LA	LB	LC	LD	LE	S	D	E	weight [kg]
20QYL-1	199	229	141	250	265	225	525	55	20	228	388	135	G $\frac{3}{4}$	G $\frac{1}{2}$	Φ14	26
20QYLB-1	199	229	141	340	265	225	560	55	20	228	388	135	G $\frac{3}{4}$	G $\frac{1}{2}$	Φ14	37
25QYL-2	220	255	150	265	275	235	620	60	28	293	453	136	G1	G $\frac{3}{4}$	Φ14	36
25QYLB-2	220	255	150	410	275	235	670	60	28	293	453	136	G1	G $\frac{3}{4}$	Φ14	48
40QYL-6	255	300	170	300	345	305	750	70	40	363	535	151	G1 $\frac{1}{2}$	G1 $\frac{1}{4}$	Φ14	62
40QYLB-6	267	312	182	435	345	305	850	70	40	363	535	151	G1 $\frac{1}{2}$	G1 $\frac{1}{4}$	Φ14	95
50QYL-12	302	358	202	370	390	350	780	77	47	450	610	158	G2	G1 $\frac{1}{2}$	Φ14	97
50QYLB-12	302	358	202	480	390	350	875	77	47	450	610	158	G2	G1 $\frac{1}{2}$	Φ14	138

60Hz

Model	HA	HB	HC	HG	AB	AC	L	LA	LB	LC	LD	LE	S	D	E	weight [kg]
20QYL-1/6	199	229	141	250	265	225	525	55	20	228	388	135	G $\frac{3}{4}$	G $\frac{1}{2}$	Φ14	26
20QYLB-1/6	199	229	141	340	265	225	560	55	20	228	388	135	G $\frac{3}{4}$	G $\frac{1}{2}$	Φ14	37
25QYL-3/6	220	255	150	265	275	235	620	60	28	293	453	136	G1	G $\frac{3}{4}$	Φ14	36
25QYLB-3/6	230	265	160	410	286	246	715	60	28	293	453	136	G1	G $\frac{3}{4}$	Φ14	54
40QYL-8/6	255	300	170	300	345	305	750	70	40	363	535	151	G1 $\frac{1}{2}$	G1 $\frac{1}{4}$	Φ14	62
40QYLB-8/6	267	312	182	435	345	305	850	70	40	363	535	151	G1 $\frac{1}{2}$	G1 $\frac{1}{4}$	Φ14	95
50QYL-17/6	302	358	202	370	390	350	780	77	47	450	610	158	G2	G1 $\frac{1}{2}$	Φ14	97
50QYLB-17/6	302	358	202	480	390	350	875	77	47	450	610	158	G2	G1 $\frac{1}{2}$	Φ14	138



