

WLT,WLTS WLTSF



50/60Hz

Horizontal Cooling Tower Pump



Stock code:300145



REPRESENTATIVE IN GEORGIA

Address: Tbilisi; Libani street 2

Tel: +995 032 248 35 62

Email: info@cnp.ge

Website: cnp.ge

E201106
subject to amendments



Pumping Water Pumping Honor



Company profile

Nanfang Pump Industry Co.,Ltd (CNP),as a subsidiary of Nanfang Zhongjin Environment Co.,Ltd, was founded in 1991,and listed on Shenzhen Stock Exchange on December 9,2010 with stock code 300145.

In 2019, CNP's annual output exceeded 900,000 units/set with nearly 3 billion sales revenue, continuing to maintain high growth. As a national enterprise technology center, CNP has flagship ultra-high efficient product -new generation CDM (F) light vertical multistage centrifugal pump, MEI \geq 0.7. Same series high temperature pump products are developed in 2019 to satisfy high temperature applications. All light stainless steel pump product series grow stably.Advanced frequency conversion water supply equipment has been innovated to the 6th generation. Fire pump and diesel engine have obtained UL certification.TD in-line pump, NIS/NISO end suction pump, NSC split casing pump, WQ sewage pump, PQ stainless steel fountain submersible pump, BP silent tube pump, pool pump, non-blocking self-priming sewage pump, metering pump, oil pump and other pump products, can meet various application needs of different fields.

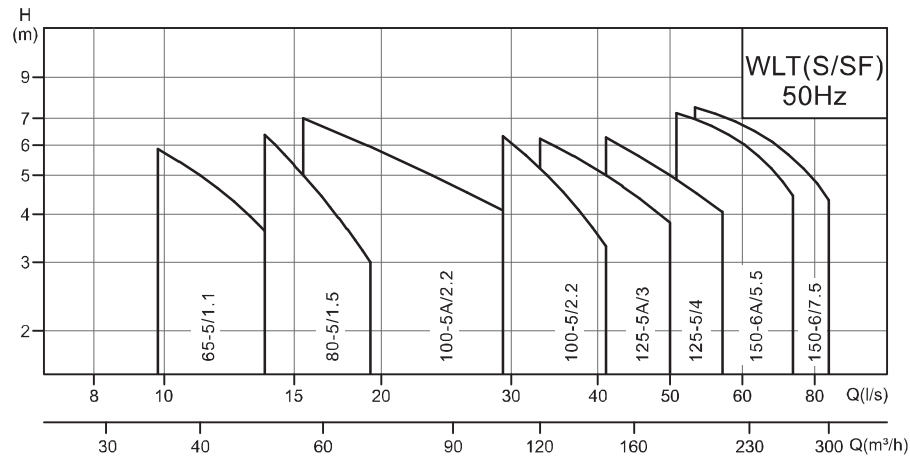
CNP has a complete sales network both in domestic and overseas market,exporting to over 60 countries and regions, maintaining long-<g relationship with our clients. CNP pumps have been widely applied in various fields like water treatment, water supply and drainage, HVAC, industrial application, seawater desalination, energy and power etc.

CNP, a green water expert beside you.

目 录

50Hz Performance range、Performance parameters	1
60Hz Performance range、Performance parameters	2
Model definition	3
Structure features	3
Applications	3
Motor	3
Curve condition	3
WLT Sectional drawing、Material	4
WLTS Sectional drawing、Material	5
WLTSF Sectional drawing、Material	6
WLT(S/SF)65-5/1.1、WLT(S/SF)80-5/1.5 Installation sketch	7
WLT(S/SF)65-5/1.1、WLT(S/SF)80-5/1.5 Performance curve &Performance table ..	8
WLT(S/SF)100-5A/2.2、WLT(S/SF)100-5/2.2 Installation sketch	9
WLT(S/SF)100-5A/2.2、WLT(S/SF)100-5/2.2 Performance curve &Performance table ..	10
WLT(S/SF)125-5A/3、WLT(S/SF)125-5/4 Installation sketch	11
WLT(S/SF)125-5A/3、WLT(S/SF)125-5/4 Performance curve &Performance table ..	12
WLT(S/SF)150-6A/5.5、WLT(S/SF)150-6/7.5 Installation sketch	13
WLT(S/SF)150-6A/5.5、WLT(S/SF)150-6/7.5 Performance curve &Performance table ..	14
WLTS65-5A/1.1、WLTS65-5/1.5 Installation sketch	15
WLTS65-5A/1.1、WLTS65-5/1.5 Performance curve &Performance table	16
WLTS80-5/2.2、WLTS100-5/3 Installation sketch	17
WLTS80-5/2.2、WLTS100-5/3 Performance curve &Performance table	18
WLTS125-5A/4、WLTS125-5/4 Installation sketch	19
WLTS125-5A/4、WLTS125-5/4 Performance curve &Performance table	20
WLTS125-6/5.5、WLTS150-6/7.5 Installation sketch	21
WLTS125-6/5.5、WLTS150-6/7.5 Performance curve &Performance table	22

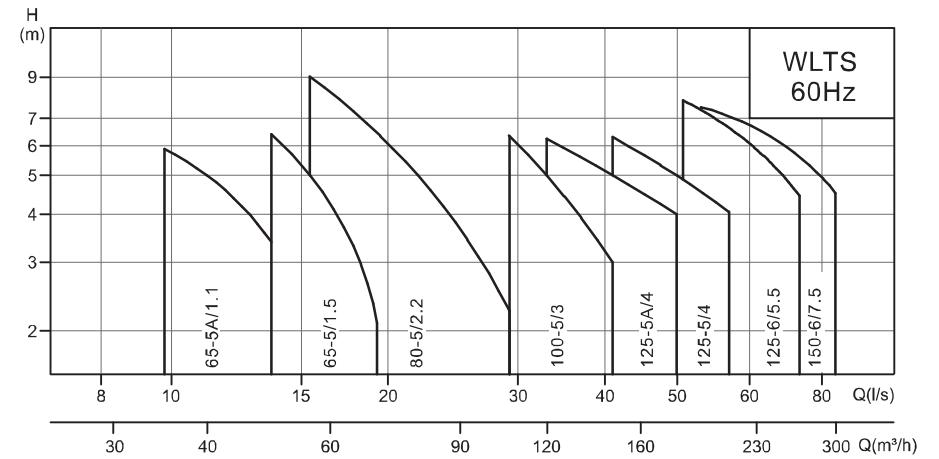
Performance Range



WLT,WLTS,WLTSF Performance parameters(50Hz)

No.	Model	Q [m³/h]	H [m]	Motor [kW]	n [r/min]
1	WLT(S/SF)65-5/ 1.1	40	5	1.1	2900
2	WLT(S/SF)80-5/1.5	55	5	1.5	
3	WLT(S/SF)100-5A/2.2	80	5	2.2	1450
4	WLT(S/SF)100-5/2.2	120	5	2.2	
5	WLT(S/SF)125-5A/3	150	5	3	
6	WLT(S/SF)125-5/4	180	5	4	
7	WLT(S/SF)150-6A/5.5	220	6	5.5	
8	WLT(S/SF)150-6/7.5	250	6	7.5	

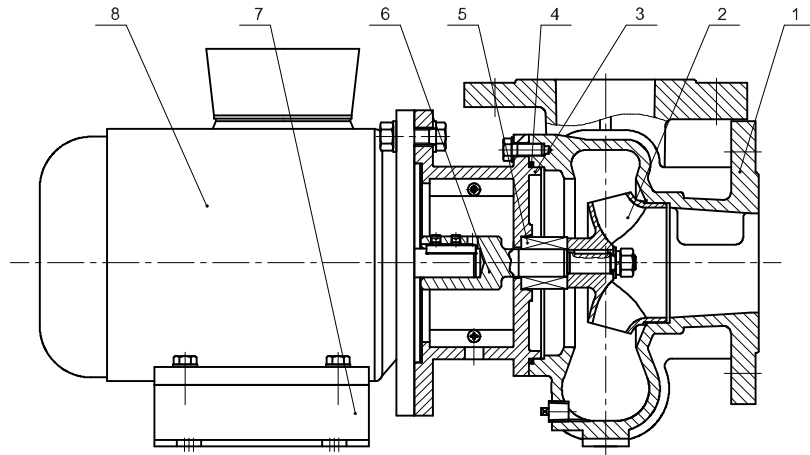
Performance Range



WLTS Performance parameters(60Hz)

No.	Model	Q [m³/h]	H [m]	Motor [kW]	n [r/min]
1	WLTS65-5A/1.1	40	5	1.1	3450
2	WLTS65-5/1.5	55	5	1.5	3500
3	WLTS80-5/2.2	80	5	2.2	
4	WLTS100-5/3	120	5	3	1750
5	WLTS125-5A/4	150	5	4	
6	WLTS125-5/4	180	5	4	1770
7	WLTS125-6/5.5	220	6	5.5	
8	WLTS150-6/7.5	250	6	7.5	

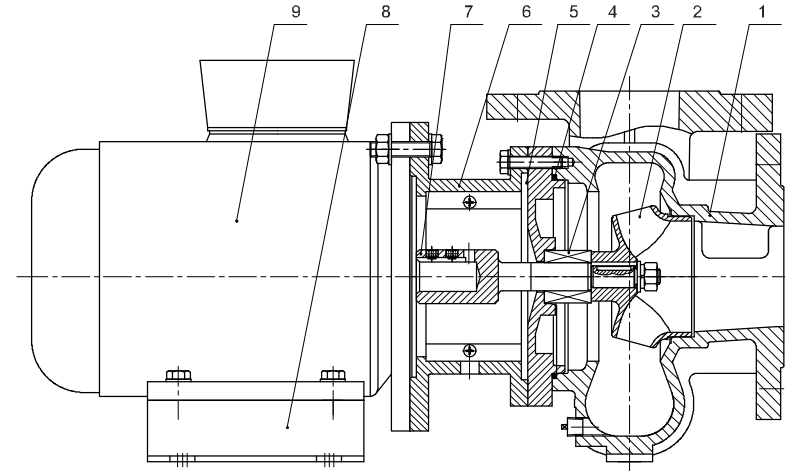
WLTS Sectional Drawing



Material

No.	Name	Material	AISI/ASTM
1	Casing	Casting iron HT200	ASTM25B
2	Impeller	Stainless steel ZG07Cr19Ni9	AISI304
3	pump head	Casting iron HT200	ASTM25B
4	O-ring seal	NBR	
5	Blade mechanical seal	Silicon carbide/Tungsten carbide	
6	Shaft	Stainless steel 20Cr13	AISI420
7	Base	Q235-B	AISIA570
8	Motor		

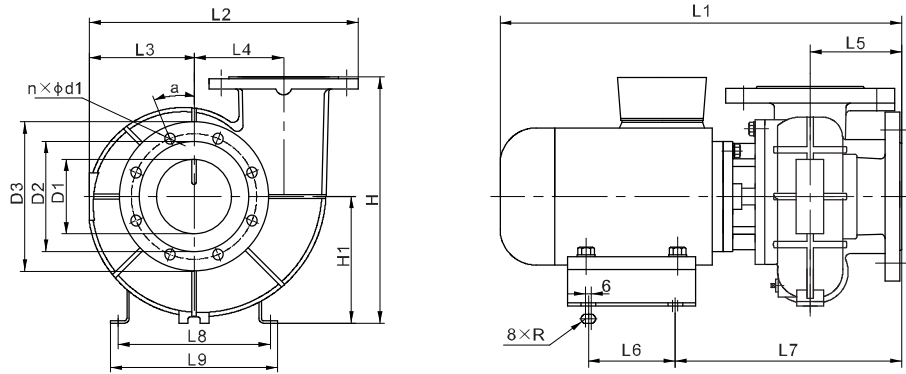
WLTSF Sectional Drawing



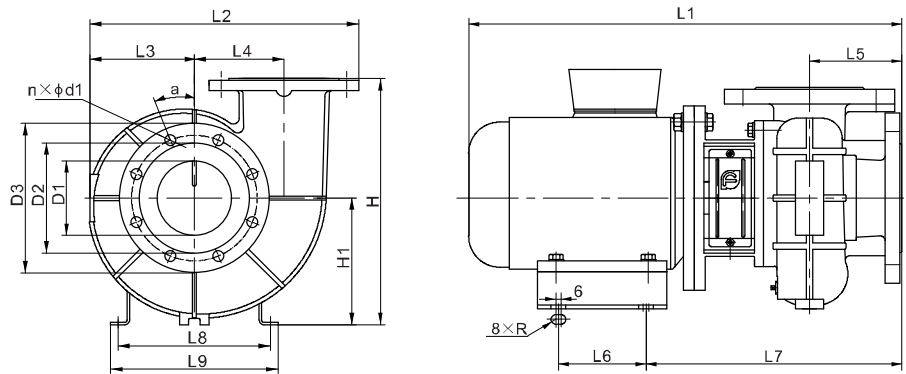
Material

No.	Name	Material	AISI/ASTM
1	Casing	Stainless steel ZG07Cr19Ni9	AISI304
2	Impeller	Stainless steel ZG07Cr19Ni9	AISI304
3	Blade mechanical seal	Silicon carbide/Tungsten carbide	
4	O-ring seal	NBR	
5	Pump cover	Stainless steel ZG07Cr19Ni9	AISI304
6	Pump head	Casting iron HT200	ASTM25B
7	Shaft	Stainless steel 20Cr13	AISI420
8	Base	Q235-B	AISIA570
9	Motor		

WLT/WLTS/WLTSF(50Hz) Installation sketch

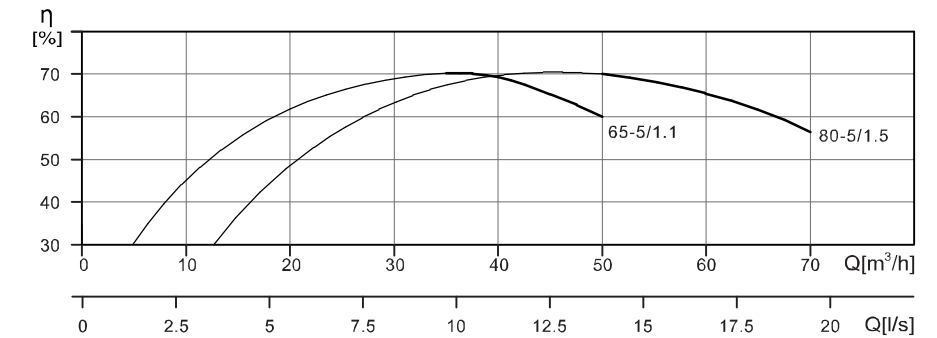
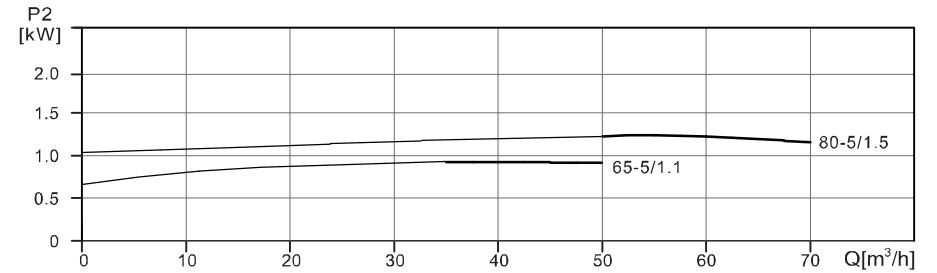
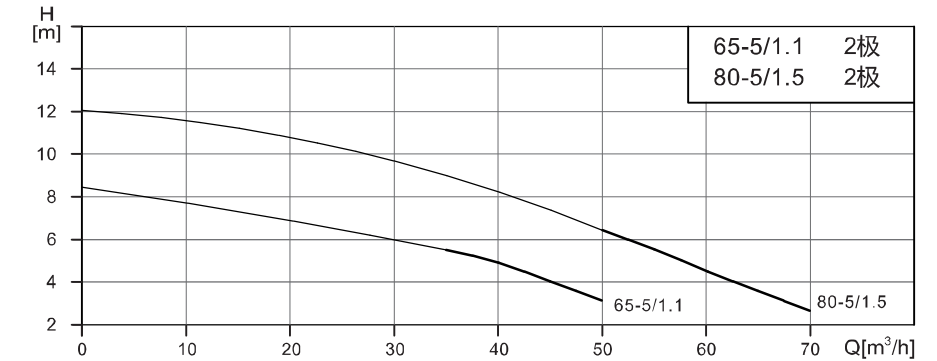


Model	External dimension				Installation dimension								Inlet and outlet flange dimension						Weight (kg)
	L1	H	H1	L2	L3	L7	L9	L5	L4	L8	L6	R	D1	D2	D3	n	a	d1	
WLT65-5/1.1	443	240	120	278	100	247	215	100	85	185	95	5	65	145	185	4	45	18	29
WLT80-5/1.5	497	270	130	295	105	264	230	110	90	200	120	5	80	160	200	8	22.5	18	37



Model	External dimension				Installation dimension								Inlet and outlet flange dimension						Weight (kg)
	L1	H	H1	L2	L3	L7	L9	L5	L4	L8	L6	R	D1	D2	D3	n	a	d1	
WLTS65-5/1.1	473	240	120	278	100	278	215	100	85	185	95	5	65	145	185	4	45	18	33.5
WLTS80-5/1.5	527	270	130	295	105	294	230	110	90	200	120	5	80	160	200	8	22.5	18	41
WLTSF65-5/1.1	490	240	120	278	100	295	215	100	85	185	95	5	65	145	185	4	45	18	38.5
WLTSF80-5/1.5	544	270	130	295	105	311	230	110	90	200	120	5	80	160	200	8	22.5	18	46

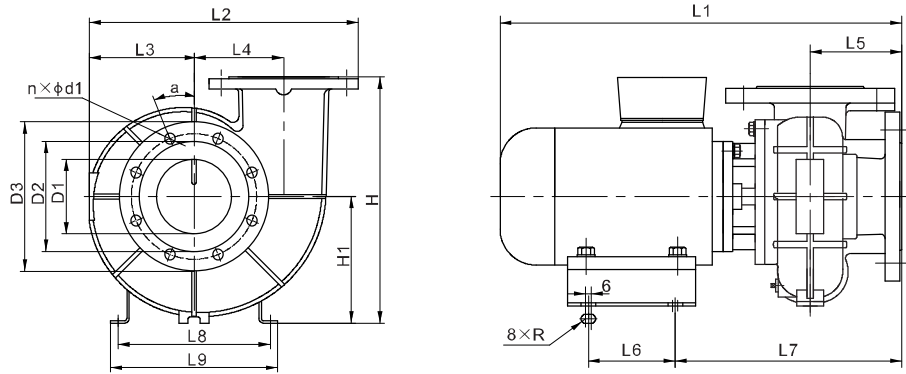
WLT/WLTS/WLTSF(50Hz) Performance curve



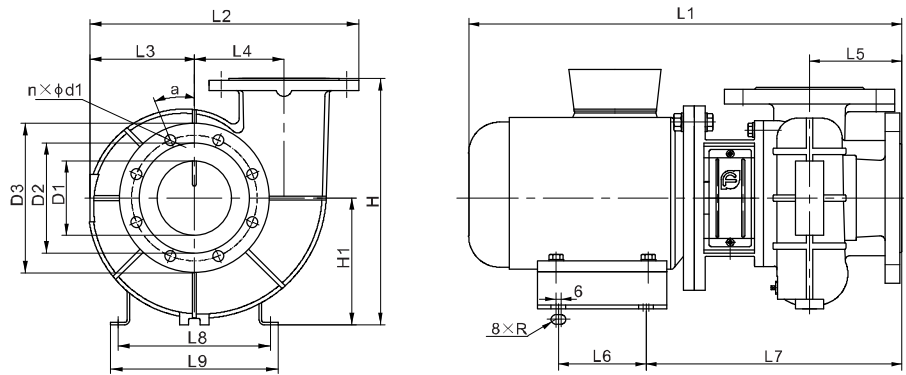
WLT/WLTS/WLTSF(50Hz) Performance table

Model	Motor (kW)	Q(m³/h)	35	40	45	50	55	60	65	70
			H(m)							
65-5/1.1	1.1	H(m)	5.8	5	4.6	3.6				
80-5/1.5	1.5					6.4	5	4.5	3.2	3

WLT/WLTS/WLTSF(50Hz) Installation sketch

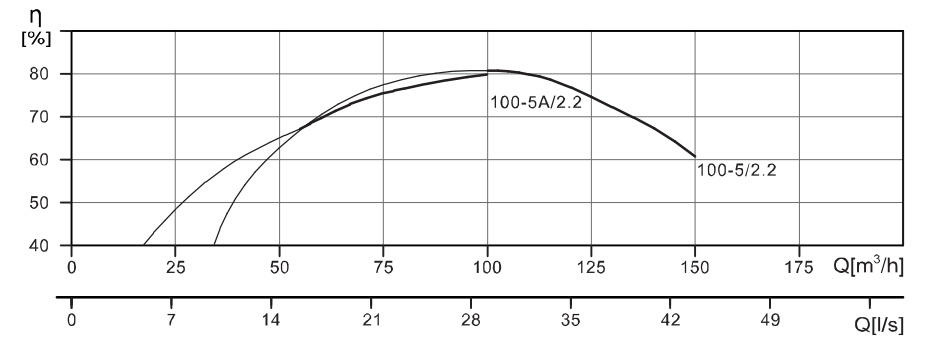
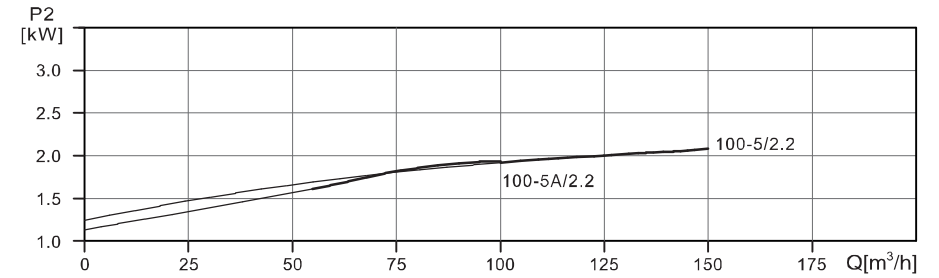
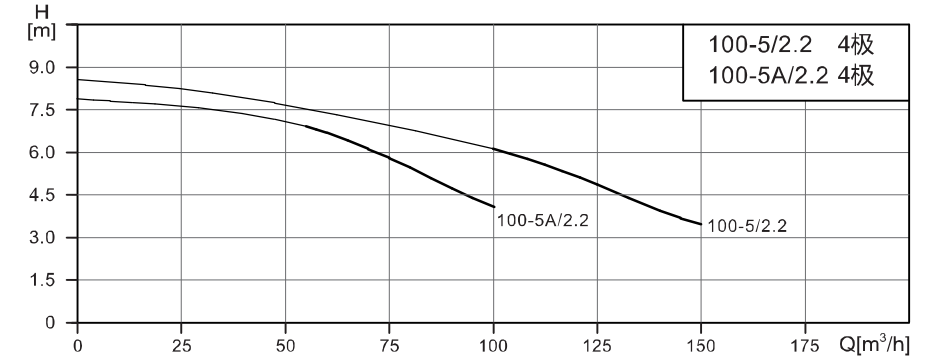


Model	External dimension				Installation dimension								Inlet and outlet flange dimension						Weight (kg)
	L1	H	H1	L2	L3	L7	L9	L5	L4	L8	L6	R	D1	D2	D3	n	a	d1	
WLT100-5/2.2	605	380	180	400	155	296	250	120	135	225	135	6	100	180	220	8	22.5	18	60
WLT100-5A/2.2	605	380	180	400	155	296	250	120	135	225	135	6	100	180	220	8	22.5	18	60



Model	External dimension				Installation dimension								Inlet and outlet flange dimension						Weight (kg)
	L1	H	H1	L2	L3	L7	L9	L5	L4	L8	L6	R	D1	D2	D3	n	a	d1	
WLTS100-5/2.2	647	380	180	400	155	338	250	120	135	225	135	6	100	180	220	8	22.5	18	66
WLTS100-5A/2.2	647	380	180	400	155	338	250	120	135	225	135	6	100	180	220	8	22.5	18	66
WLTSF100-5/2.2	664	380	180	400	155	355	250	120	135	225	135	6	100	180	220	8	22.5	18	74
WLTSF100-5A/2.2	664	380	180	400	155	355	250	120	135	225	135	6	100	180	220	8	22.5	18	74

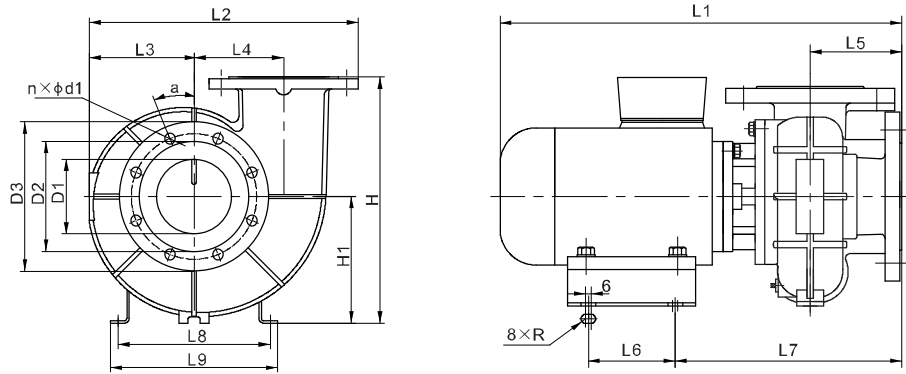
WLT/WLTS/WLTSF(50Hz) Performance curve



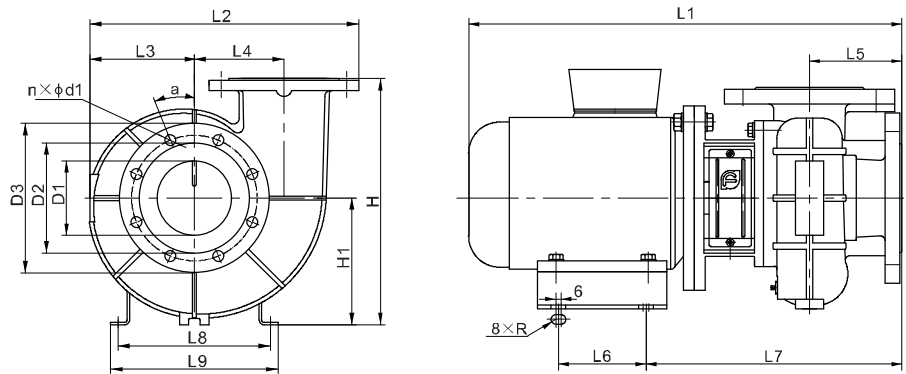
WLT/WLTS/WLTSF(50Hz) Performance table

Model	Motor (kW)	Q(m³/h)	55	60	70	80	90	100	110	120	130	140	150
			H(m)										
100-5A/2.2	2.2	H(m)	7	6.8	6.5	5	4.5	4.3					
100-5/2.2							6.2	5.7	5	4.5	3.9	3.5	

WLT/WLTS/WLTSF(50Hz) Installation sketch

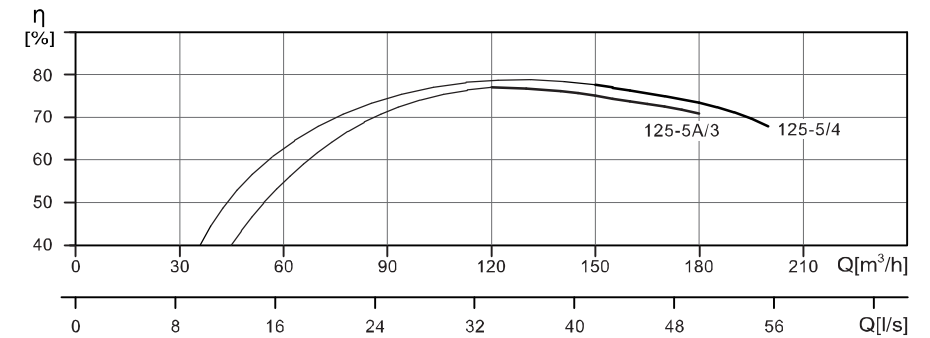
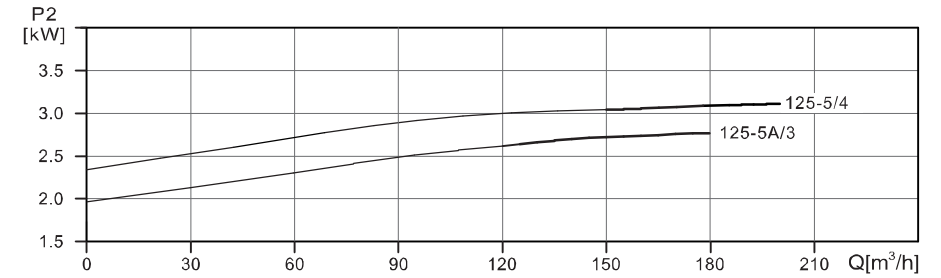
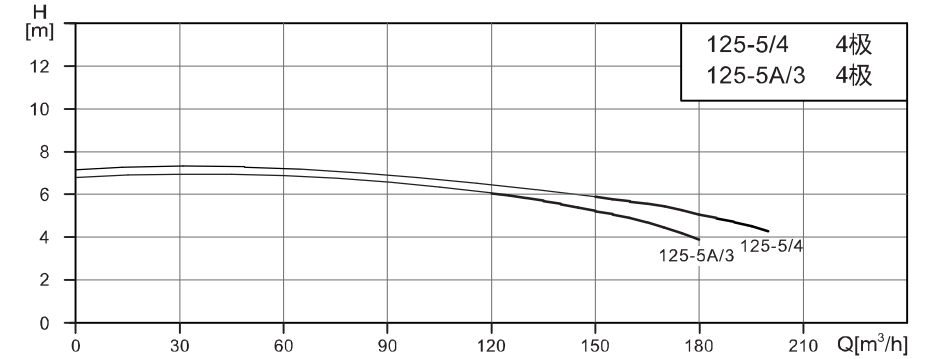


Model	External dimension					Installation dimension					Inlet and outlet flange dimension						Weight (kg)		
	L1	H	H1	L2	L3	L7	L9	L5	L4	L8	L6	R	D1	D2	D3	n		a	d1
WLT125-5A/3	620	412	212	450	175	311	250	135	150	225	135	6	125	210	250	8	22.5	18	72.5
WLT125-5/4	629	412	212	450	175	318	280	135	150	255	135	6	125	210	250	8	22.5	18	83



Model	External dimension					Installation dimension					Inlet and outlet flange dimension						Weight (kg)		
	L1	H	H1	L2	L3	L7	L9	L5	L4	L8	L6	R	D1	D2	D3	n		a	d1
WLTS125-5A/3	662	412	212	450	175	353	250	135	150	225	135	6	125	210	250	8	22.5	18	79
WLTS125-5/4	671	412	212	450	175	360	280	135	150	255	135	6	125	210	250	8	22.5	18	90
WLTSF125-5A/3	676	412	212	450	175	367	250	135	150	225	135	6	125	210	250	8	22.5	18	89
WLTSF125-5/4	685	412	212	450	175	374	280	135	150	255	135	6	125	210	250	8	22.5	18	100

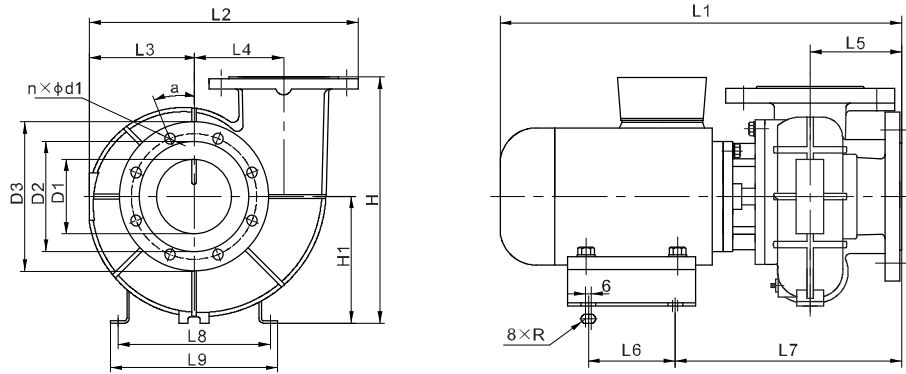
WLT/WLTS/WLTSF(50Hz) Performance curve



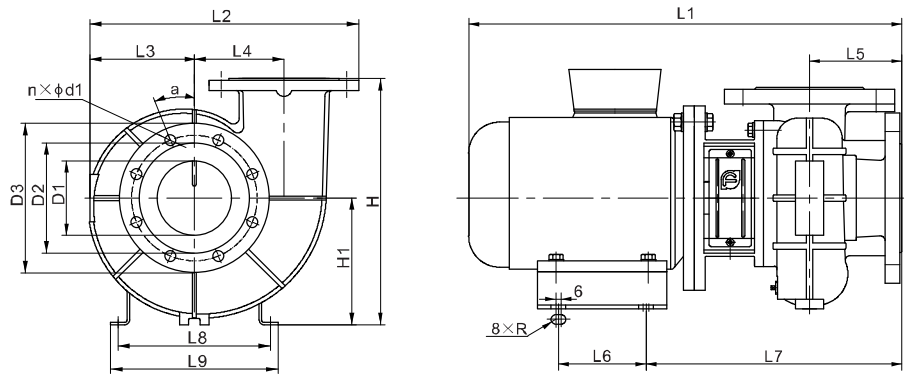
WLT/WLTS/WLTSF(50Hz) Performance table

Model	Motor (kW)	Q(m³/h)	120	130	140	150	160	170	180	190	200
			125-5A/3	3	H(m)	6.2	5.8	5.4	5	4.7	4.4
125-5/4	4					5.9	5.6	5.3	5	4.6	4.1

WLT/WLTS/WLTSF(50Hz) Installation sketch

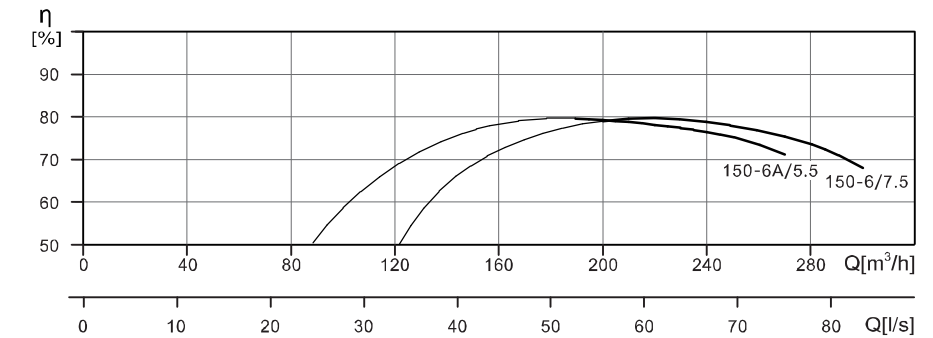
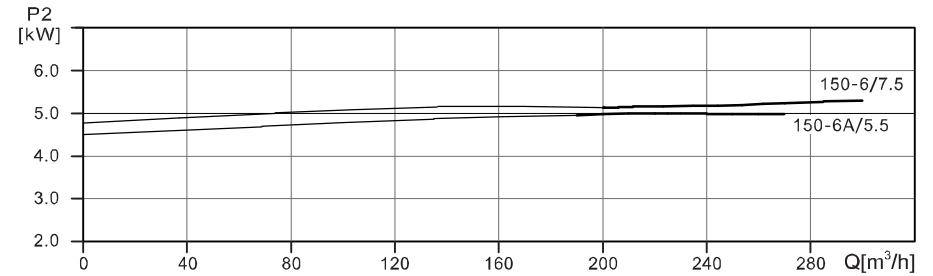
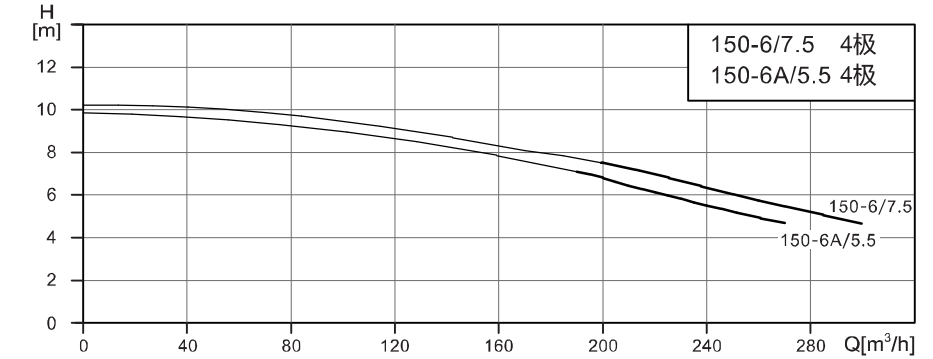


Model	External dimension					Installation dimension						Inlet and outlet flange dimension						Weight (kg)	
	L1	H	H1	L2	L3	L7	L9	L5	L4	L8	L6	R	D1	D2	D3	n	a		d1
WLT150-6A/5.5	650	462	232	510	195	362	350	150	170	310	135	6	150	240	285	8	22.5	22	108
WLT150-6/7.5	690	462	232	510	195	362	350	150	170	310	135	6	150	240	285	8	22.5	22	117



Model	External dimension					Installation dimension						Inlet and outlet flange dimension						Weight (kg)	
	L1	H	H1	L2	L3	L7	L9	L5	L4	L8	L6	R	D1	D2	D3	n	a		d1
WLTS150-6A/5.5	695	462	232	510	195	407	350	150	170	310	135	6	150	240	285	8	22.5	22	123
WLTS150-6/7.5	735	462	232	510	195	407	350	150	170	310	173	6	150	240	285	8	22.5	22	132.5
WLTSF150-6A/5.5	712	462	232	510	195	424	350	150	170	310	135	6	150	240	285	8	22.5	22	135
WLTSF150-6/7.5	752	462	232	510	195	424	350	150	170	310	173	6	150	240	285	8	22.5	22	147.5

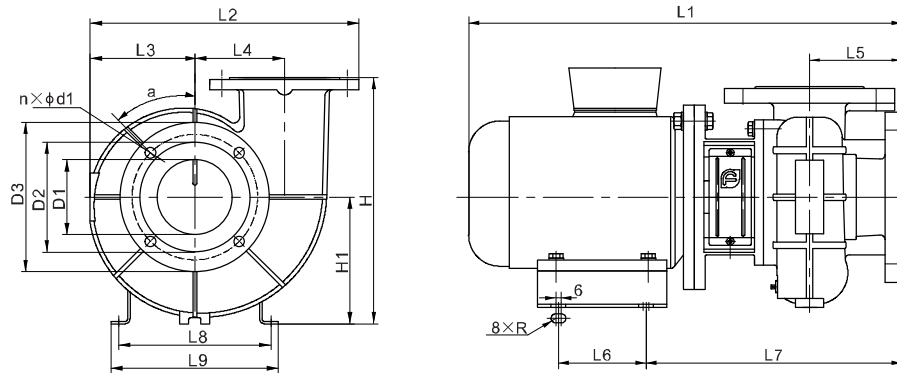
WLT/WLTS/WLTSF(50Hz) Performance curve



WLT/WLTS/WLTSF(50Hz) Performance table

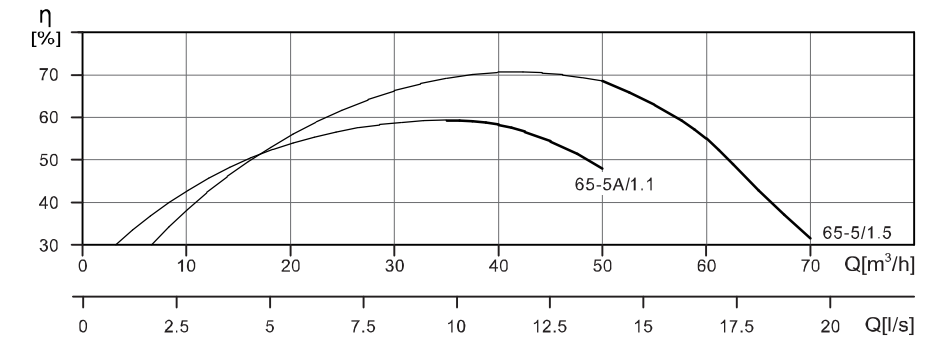
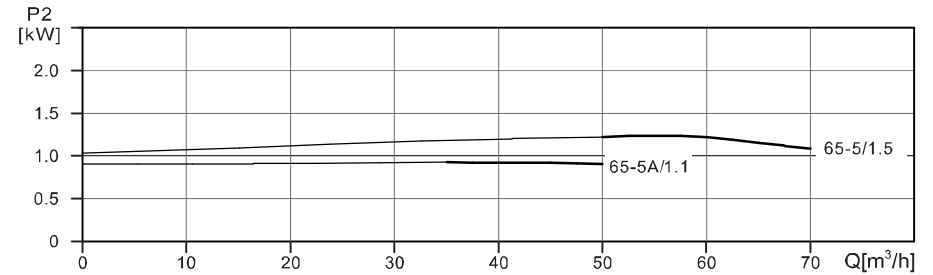
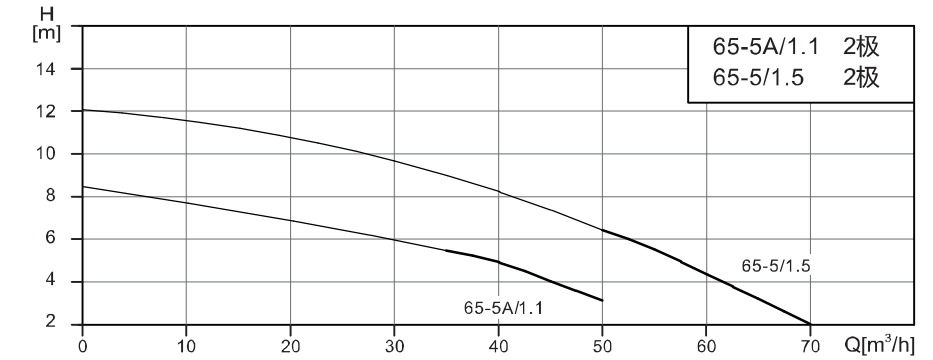
Model	Motor (kW)	Q(m³/h)	190	200	210	220	230	250	270	290	300
			H(m)								
150-6A/5.5	5.5	H(m)	7.2	7	6.6	6	5.6	5.1	4.8		
150-6/7.5	7.5			7.4	7.2	6.7	6.5	6	5.4	4.7	4.5

WLTS(60Hz) Installation sketch



Model	External dimension					Installation dimension						Inlet and outlet flange dimension						Weight (kg)	
	L1	H	H1	L2	L3	L7	L9	L5	L4	L8	L6	R	D1	D2	D3	n	a		d1
WLTS65-5A/1.1	460	240	120	278	100	278	215	100	85	185	95	5	65	145	185	4	45	18	35
WLTS65-5/1.5	480	240	120	278	100	283	230	100	85	200	120	5	65	145	185	4	45	18	42

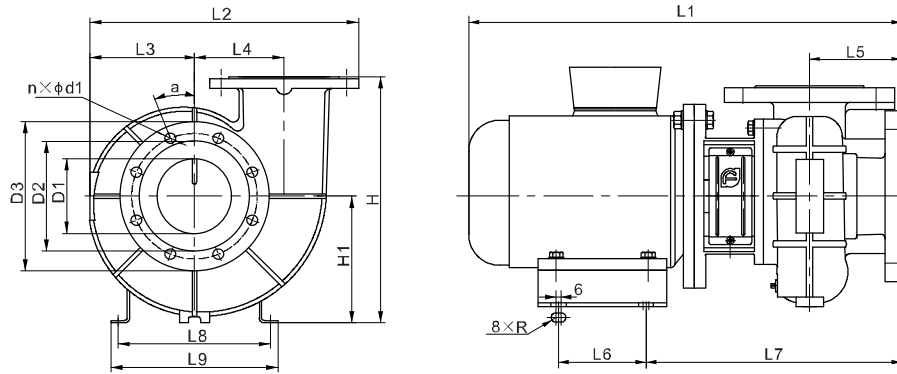
WLTS(60Hz) Performance curve



WLTS(60Hz) Performance table

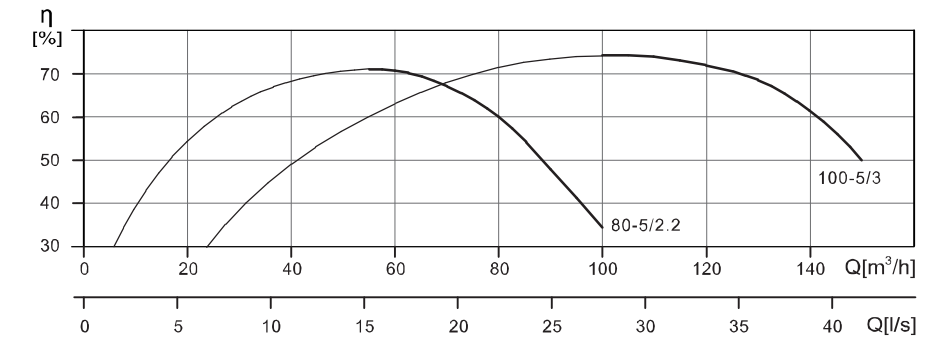
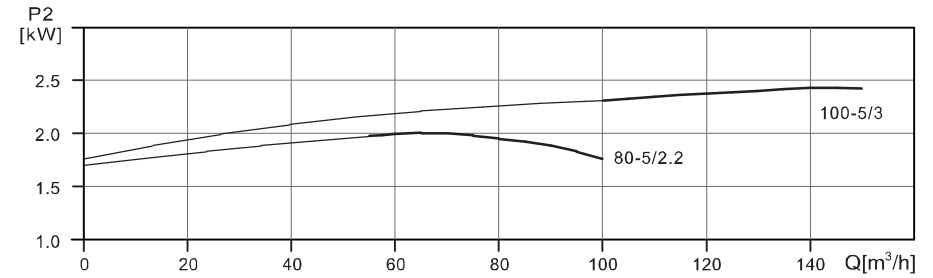
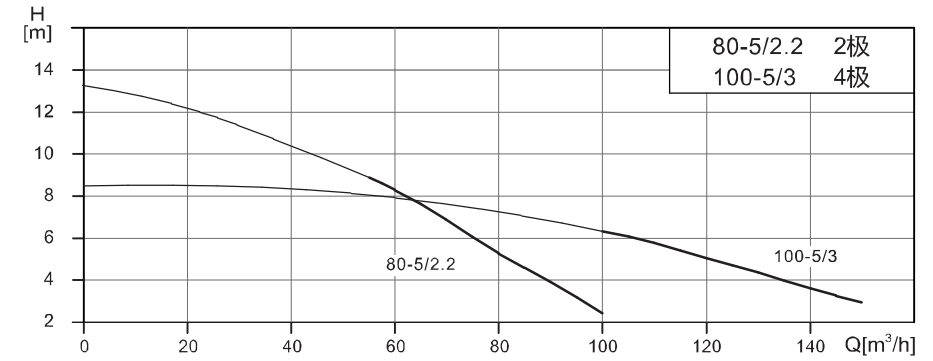
Model	Motor (kW)	Q(m³/h)	35	40	45	50	55	60	65	70
65-5A/1.1	1.1	H(m)	5.8	5	4.4	3.4				
65-5/1.5	1.5					6.4	5	4.5	3.2	2

WLTS(60Hz) Installation sketch



Model	External dimension					Installation dimension						Inlet and outlet flange dimension						Weight (kg)	
	L1	H	H1	L2	L3	L7	L9	L5	L4	L8	L6	R	D1	D2	D3	n	a		d1
WLTS80-5/2.2	490	270	130	295	105	294	230	110	90	200	120	5	80	160	200	8	22.5	18	53
WLTS100-5/3	588	380	180	400	155	338	250	120	135	225	135	6	100	180	220	8	22.5	18	76

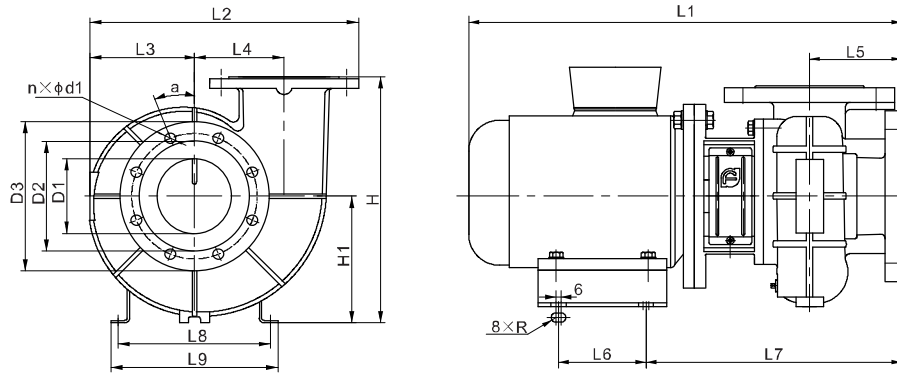
WLTS(60Hz) Performance curve



WLTS(60Hz) Performance table

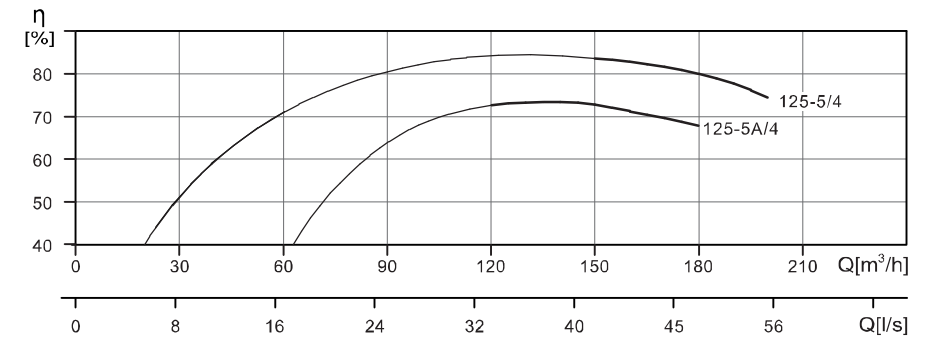
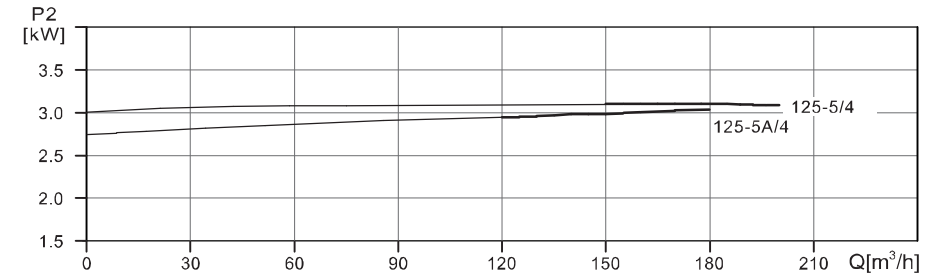
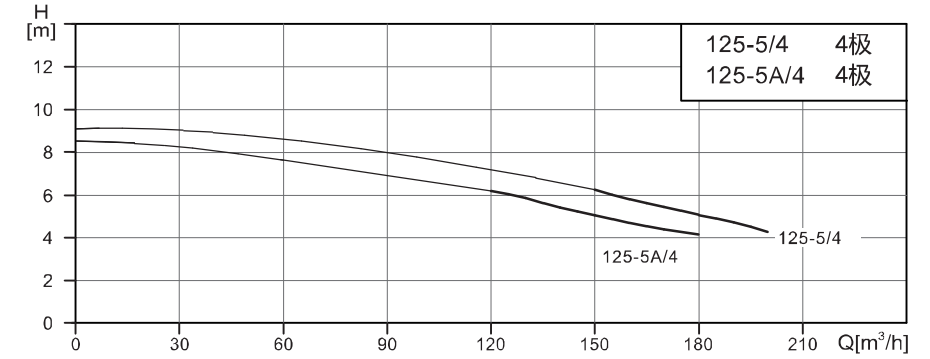
Model	Motor (kW)	Q(m³/h)	H(m)													
			55	60	70	80	90	100	110	120	130	140	150			
80-5/2.2	2.2		9	8.5	7.4	5	3.6	2.3								
100-5/3	3							6.3	5.7	5	4.1	3.4	3			

WLTS(60Hz) Installation sketch



Model	External dimension					Installation dimension					Inlet and outlet flange dimension						Weight (kg)		
	L1	H	H1	L2	L3	L7	L9	L5	L4	L8	L6	R	D1	D2	D3	n		a	d1
WLTS125-5A/4	620	412	212	450	175	360	280	135	150	255	135	6	125	210	250	8	22.5	18	91
WLTS125-5/4	620	412	212	450	175	360	280	135	150	255	135	6	125	210	250	8	22.5	18	91

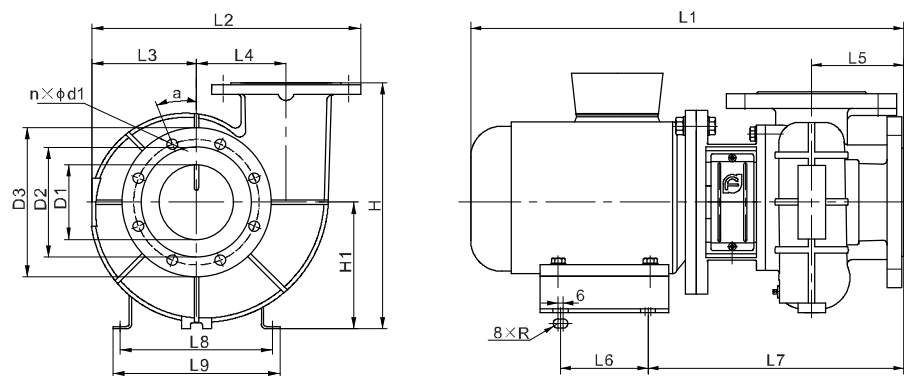
WLTS(60Hz) Performance curve



WLTS(60Hz) Performance table

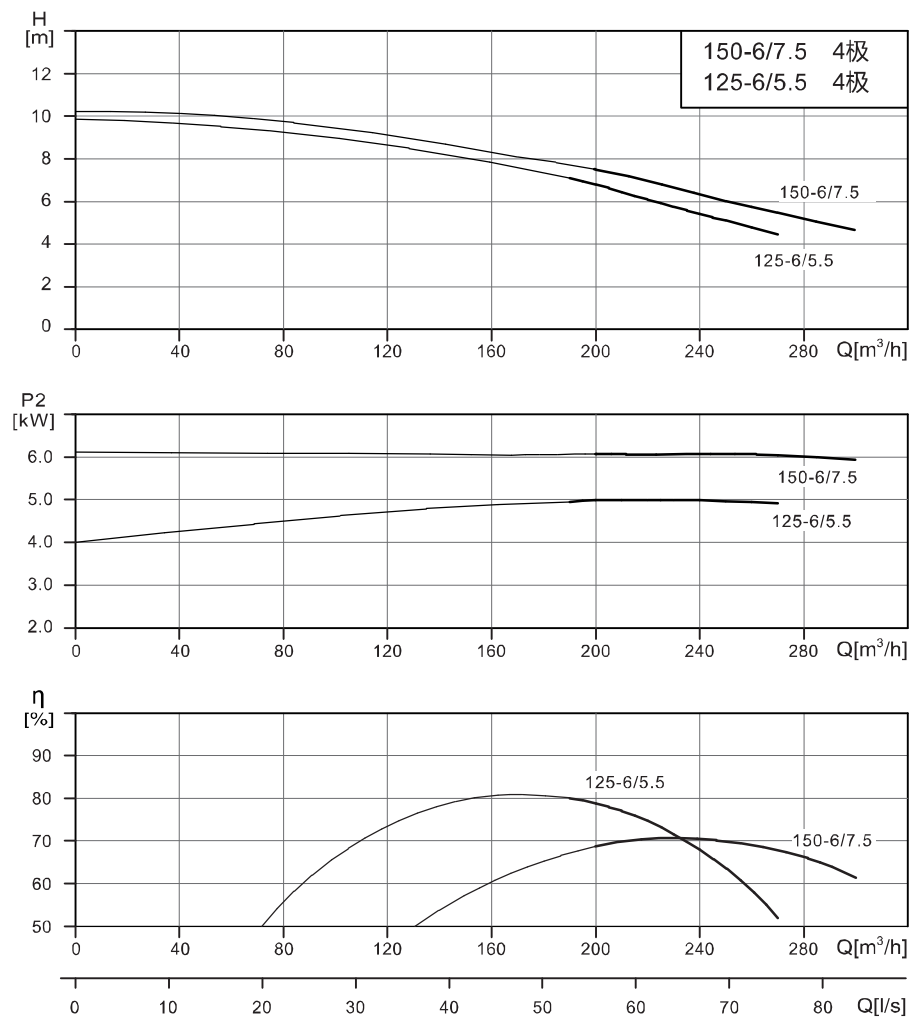
Model	Motor (kW)	Q(m³/h)	H(m)								
			120	130	140	150	160	170	180		
125-5A/4	4		6.2	6	5.4	5	4.7	4.4	4.1		
125-5/4	4					6.6	6.1	5.6	5	4.7	4.4

WLTS(60Hz) Installation sketch



Model	External dimension			Installation dimension				Inlet and outlet flange dimension						Weight (kg)					
	L1	H	H1	L2	L3	L7	L9	L5	L4	L8	L6	R	D1		D2	D3	n	a	d1
WLTS125-6/5.5	686	412	212	450	175	404	350	135	150	310	135	6	125	210	250	8	22.5	18	112
WLTS150-6/7.5	725	462	232	510	195	407	350	150	170	310	173	6	150	240	285	8	22.5	22	138

WLTS(60Hz) Performance curve



WLTS(60Hz) Performance table

Model	Motor (kW)	Q(m³/h)	190	200	210	220	230	250	270	290	300
125-6/5.5	5.5	H(m)	7.8	7.3	6.7	6	5.6	4.8	4.6		
150-6/7.5	7.5			7.39	7.27	7.25	6.8	6	5.4	5.1	4.6